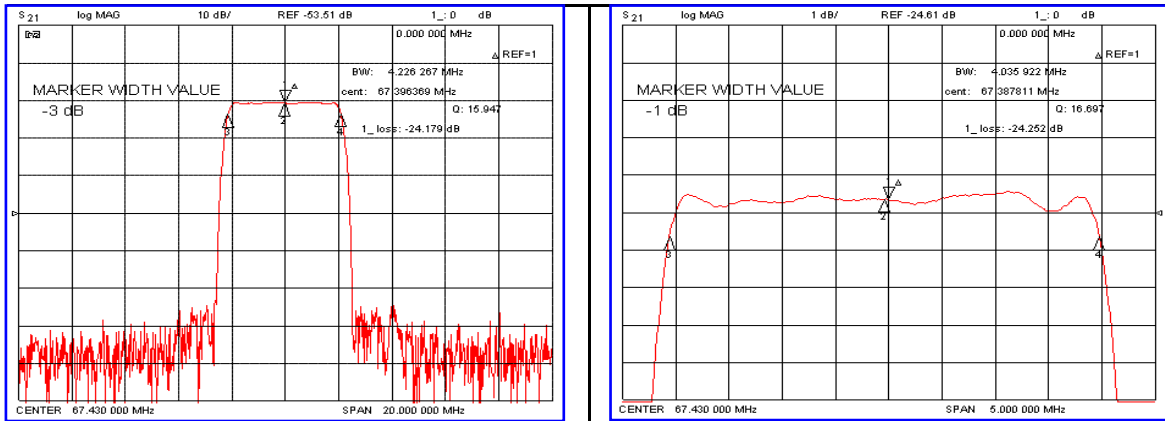


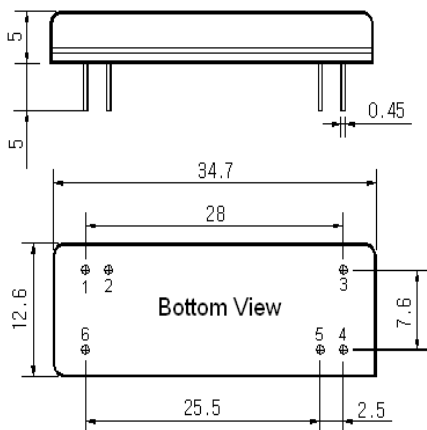
Typical Performance



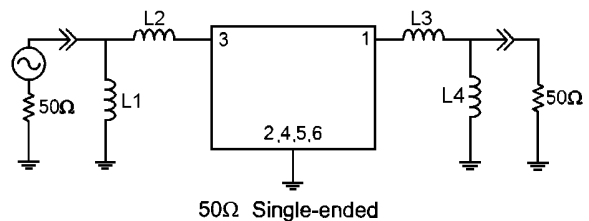
Specification

Parameter	Unit	Min.	Typ.	Max.
Center Frequency	MHz	67.35	67.43	67.51
Insertion Loss	dB	-	24.50	26.00
1dB Bandwidth	MHz	-	4.03	-
3dB Bandwidth	MHz	4.10	4.22	-
40dB Bandwidth	MHz	-	5.02	5.10
Passband Ripple	dB	-	0.55	1.00
Group Delay Variation	nsec	-	60	100
Absolute Delay	μsec	-	4.80	-
Ultimate Attenuation	dB	50	55	-
Substrate Material	-	LiTaO ₃		
Temperature Coefficient	ppm/°C	-20		

Package Dimension



Matching Configuration



L1= L4=120nH, L2=L3=15nH
 Source / Load Impedance = 50Ω
 Ambient Temperature = 25°C

Rev0. 070418

