

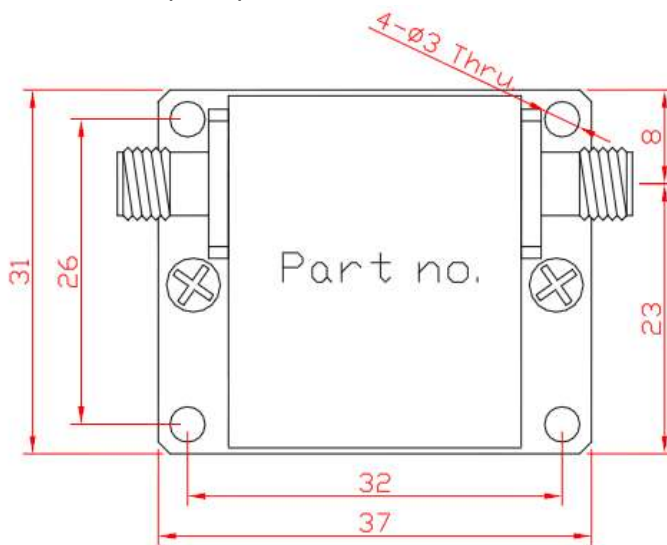
Simulation

Specification

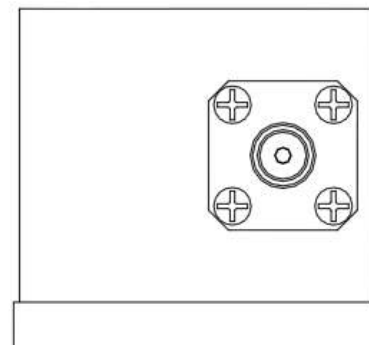
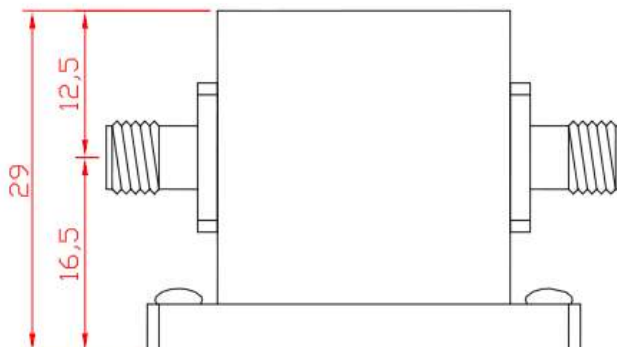


Parameter	Unit	Specification
Center Frequency (Fo)	Mhz	3845
Frequency Range	Mhz	3785~3905
Pass Bandwidth	Mhz	120(Min)
Insertion Loss in B.W	dB	2.0 (Max)
Ripple in B.W	dB	1.0 (Max)
Return Loss in B.W	dB	15.0 (Min)
Attenuation	dB	40.0 (Min) @ 3695Mhz & 3995Mhz
Maximum Input Power	W	10.0 (Max)
In/Out Impedance	Ω	50
Operating Temperature	$^{\circ}\text{C}$	-40 ~ +85
Connector	-	SMA(Female) – All Ports

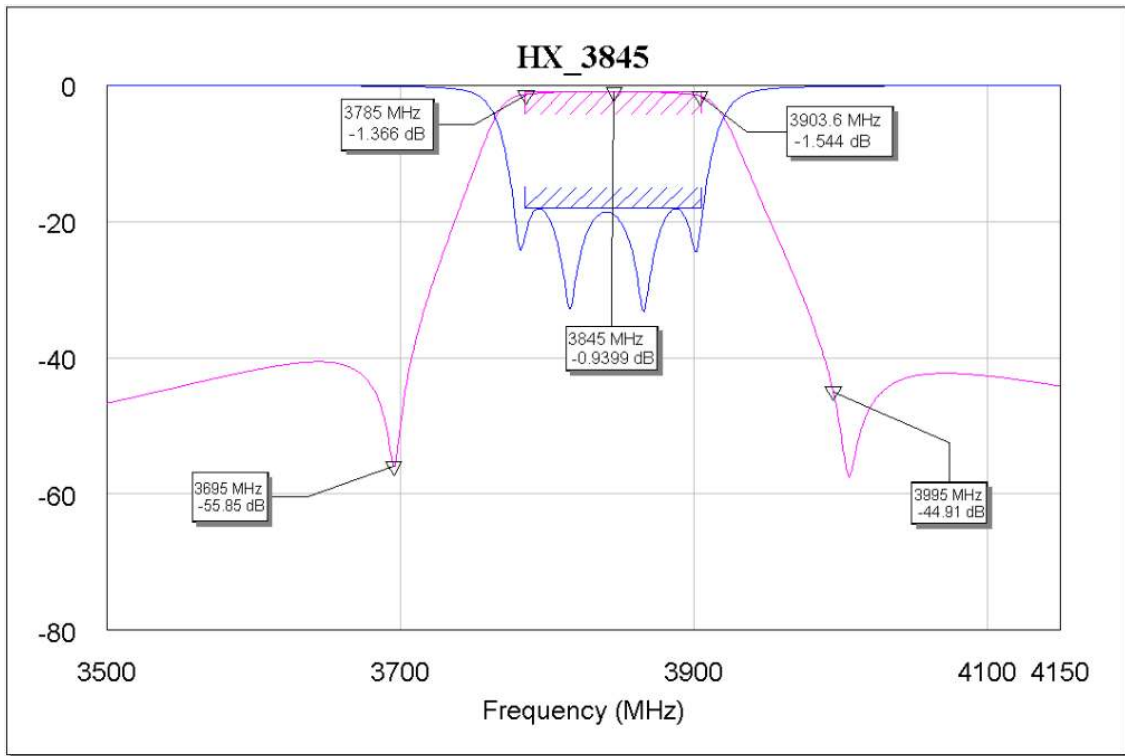
Dimension(mm)



Unit
: mm



Simulation Graph



2010.03.30
www.ctech.co.kr