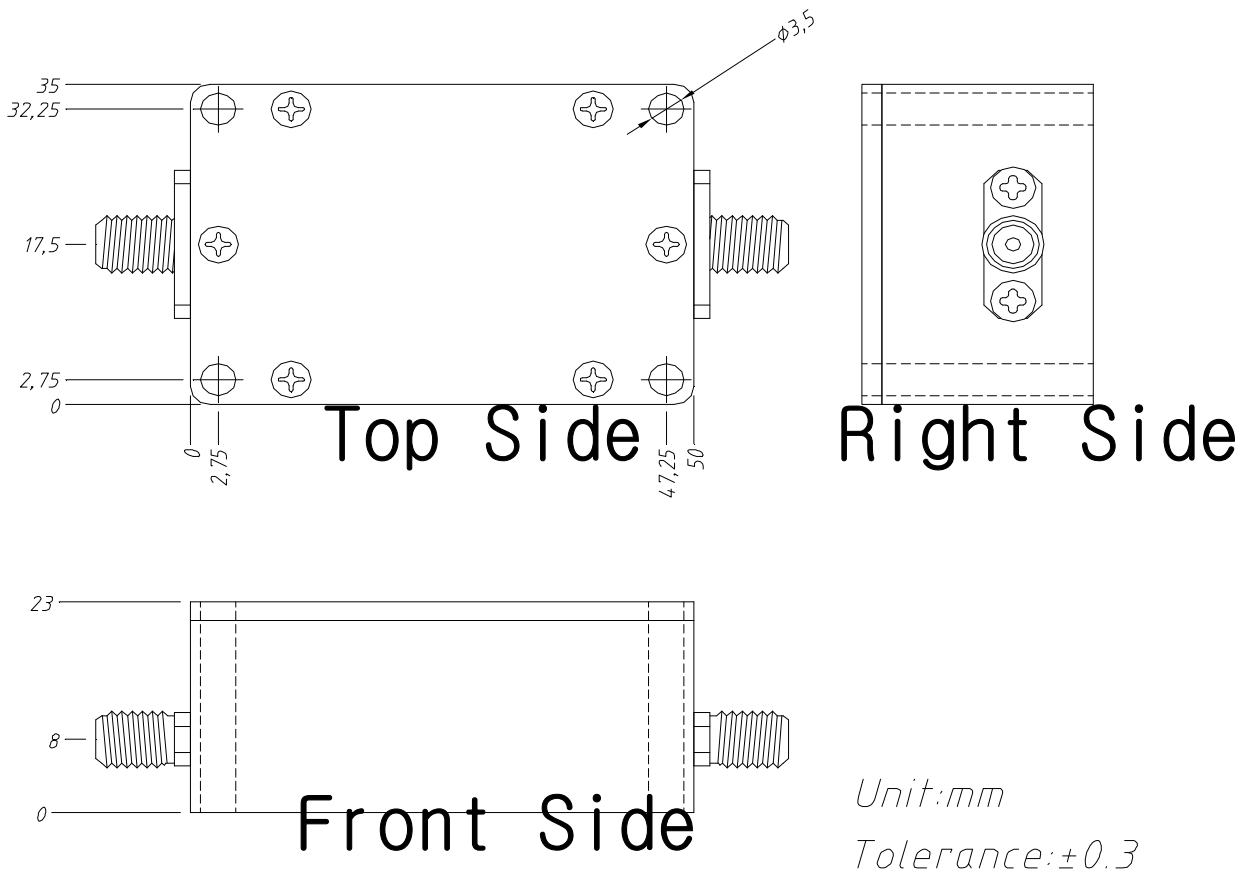




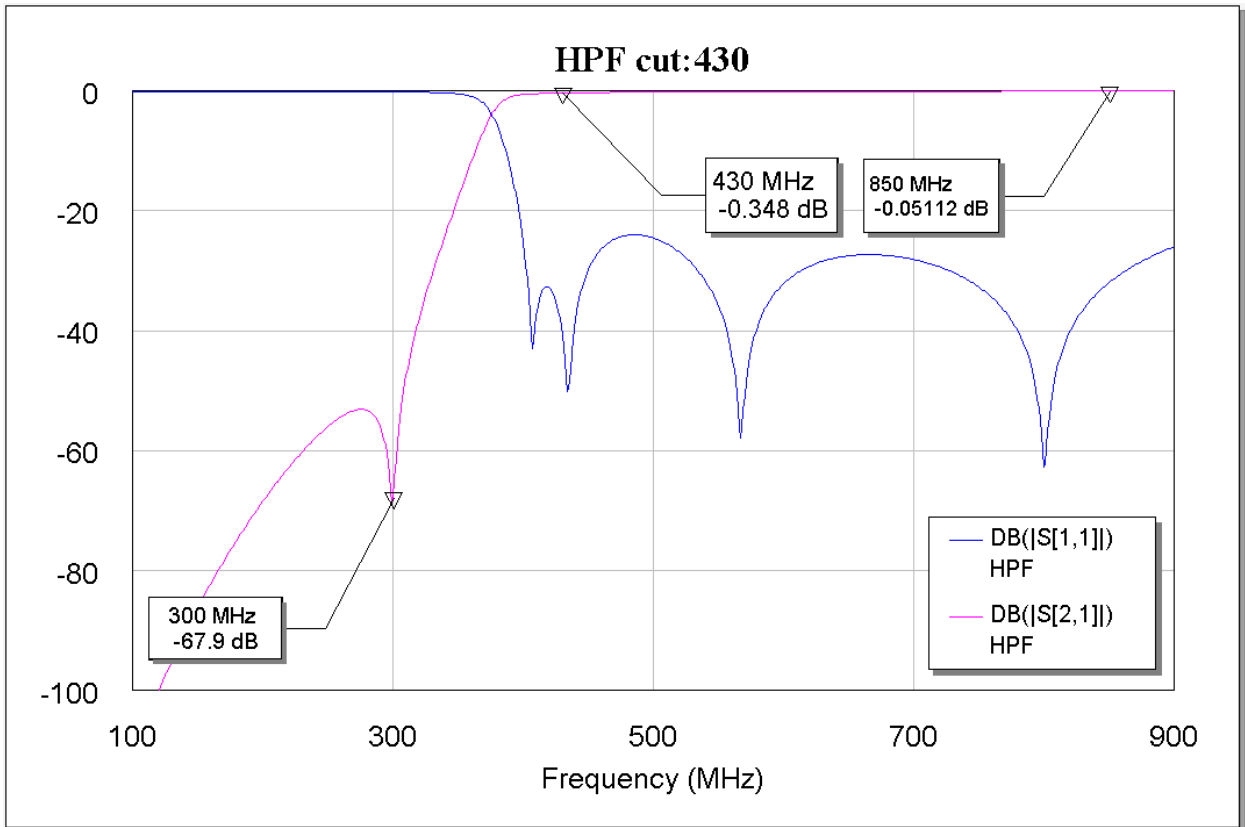
Specification

Parameter	Unit	Specification
Center Frequency	MHz	430~850
Insertion Loss in B.W	dB	0.5 (Max)
Ripple in B.W	dB	0.4 (Max)
Return Loss in B.W	dB	15.0 (Min)
Attenuation	dB	40.0 @ DC~300Mhz
Input Power	Watt	20.0 (Max)
In/Out Impedance	$\Omega$	50
Operating Temp	$^{\circ}\text{C}$	-30 ~ +85
Connector Type	-	SMA(Female) – All ports

Package Dimension



# Simulation Graph



2010.02.19

[www.ctech.co.kr](http://www.ctech.co.kr)