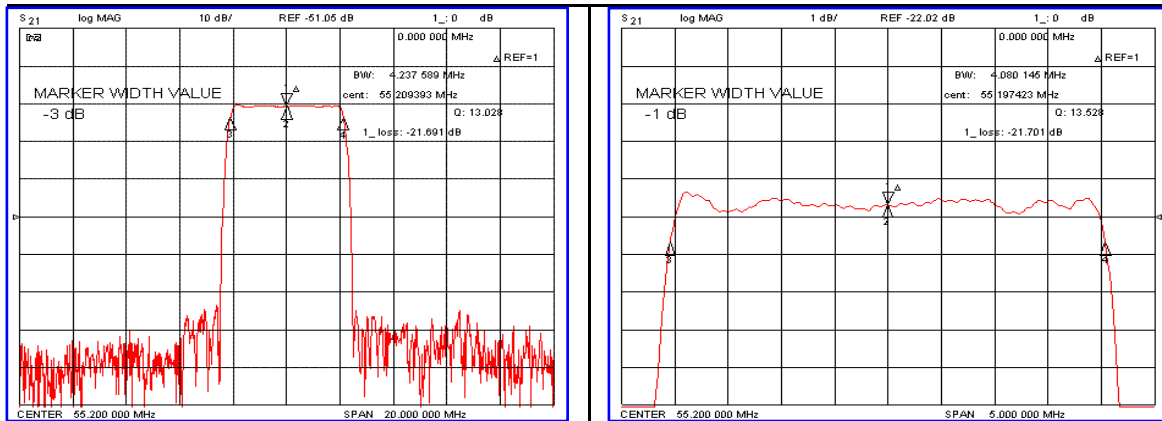


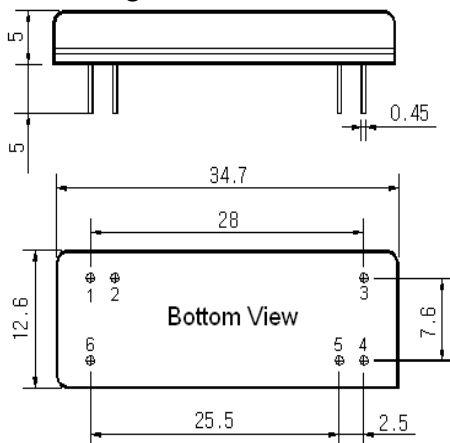
Typical Performance



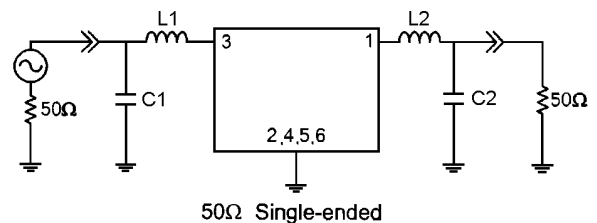
Specification

Parameter	Unit	Min.	Typ.	Max.
Center Frequency	MHz	55.12	55.20	55.28
Insertion Loss	dB	-	21.70	24.00
1dB Bandwidth	MHz	-	4.08	-
3dB Bandwidth	MHz	4.10	4.23	-
40dB Bandwidth	MHz	-	4.88	5.00
Passband Ripple	dB	-	0.60	1.00
Group Delay Variation	nsec	-	150	200
Absolute Delay	μsec	-	4.22	-
Relative Attenuation 52.7Mhz	dB	50	55	-
Substrate Material	-	Yz-LiNbO ₃		
Temperature Coefficient	ppm/°C	-94		

Package Dimension



Matching Configuration



L1=L2=33nH, C1=C2=10pF
 Source / Load Impedance = 50Ω
 Ambient Temperature = 25°C

Rev 0. 070618

