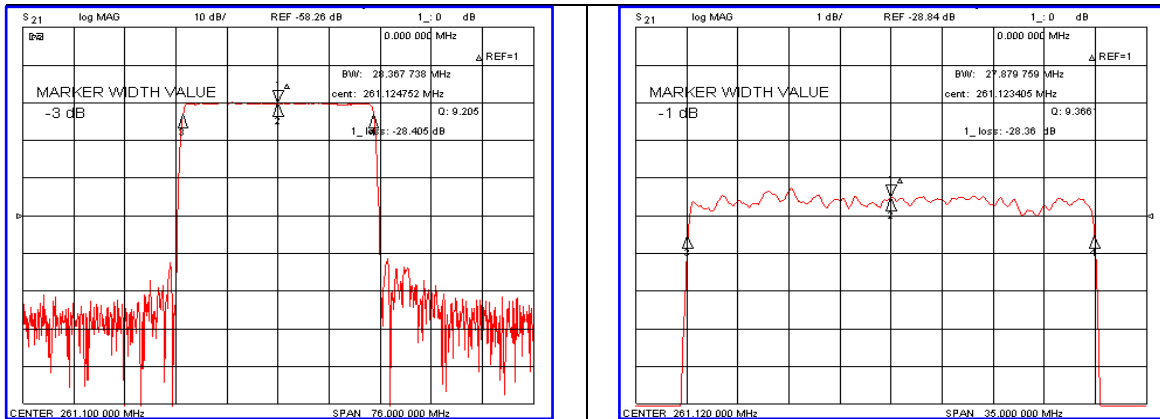


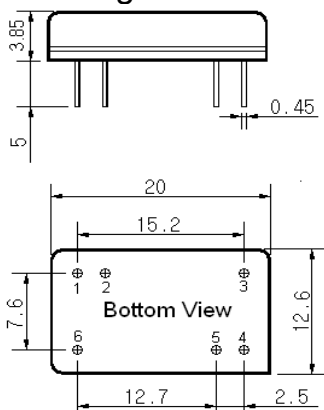
Typical Performance



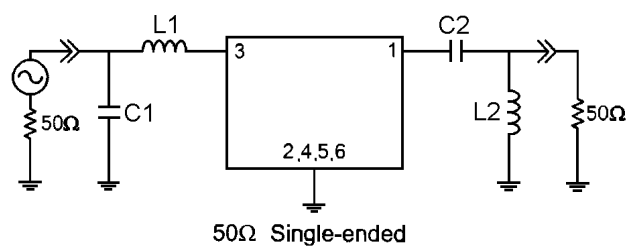
Specification

Parameter	Unit	Min.	Typ.	Max.
Center Frequency	MHz	-	261.12	-
Insertion Loss	dB	-	28.40	30.00
1dB Bandwidth	MHz	-	27.87	-
3dB Bandwidth	MHz	-	28.36	-
40dB Bandwidth	MHz	-	30.26	-
Relative Attenuation				
$F_c \pm 15.25\text{MHz}$	dB	-	47	-
Passband Ripple($F_c \pm 13.75\text{MHz}$)	dB	-	0.77	-
Group Delay Variation($F_c \pm 13.75\text{MHz}$)	nsec	-	40	-
Absolute Delay	μsec	-	1.70	-
Ultimate Attenuation	dB	-	42	-
Substrate Material	-	128- LiNbO ₃		
Temperature Coefficient	ppm/ $^{\circ}\text{C}$	-72		

Package Dimension



Matching Configuration



L1=10nH, L2=56nH, C1=10pF, C2=150pF
 Source / Load Impedance = 50Ω
 Ambient Temperature = 25°C

Rev0. 090904

