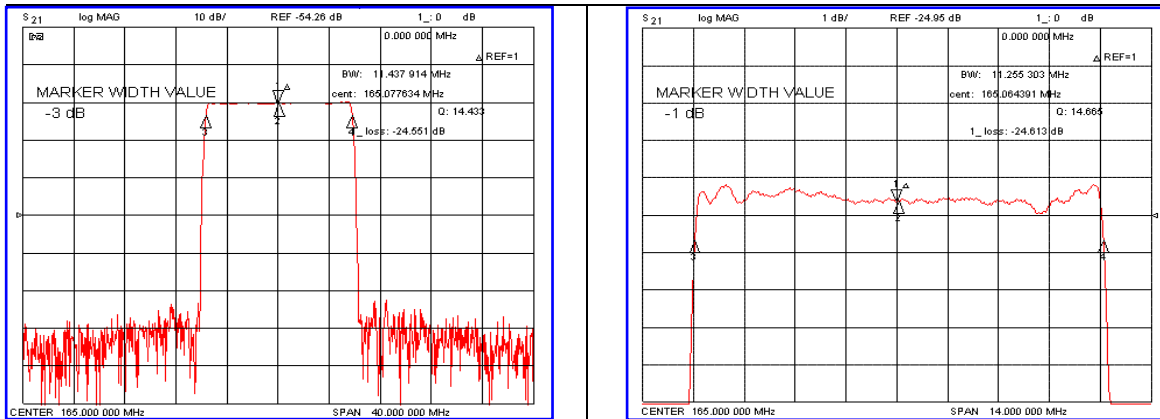


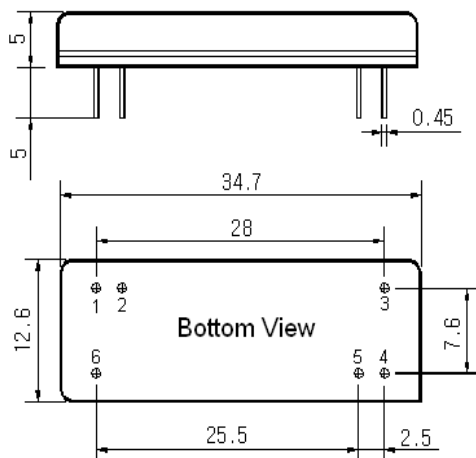
Typical Performance



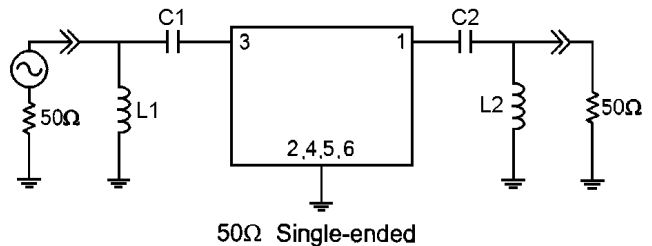
Specification

Parameter	Unit	Min.	Typ.	Max.
Center Frequency	MHz	164.85	165.00	165.15
Insertion Loss	dB	-	24.60	26.50
1dB Bandwidth	MHz	11.00	11.24	-
3dB Bandwidth	MHz	-	11.43	-
50dB Bandwidth	MHz	-	12.40	12.50
Passband Ripple	dB	-	0.76	1.00
Group Delay Variation	nsec	-	100	200
Absolute Delay	usec	-	4.00	-
Ultimate Attenuation	dB	50	53	-
Substrate Material	-	112-LiTaO ₃		
Temperature Coefficient	ppm/°C	-20		

Package Dimension



Matching Configuration



L1=18nH, L2=22nH, C1=82pF C2=82pF
 Source / Load Impedance = 50Ω
 Ambient Temperature = 25°C

Rev.0 090909

