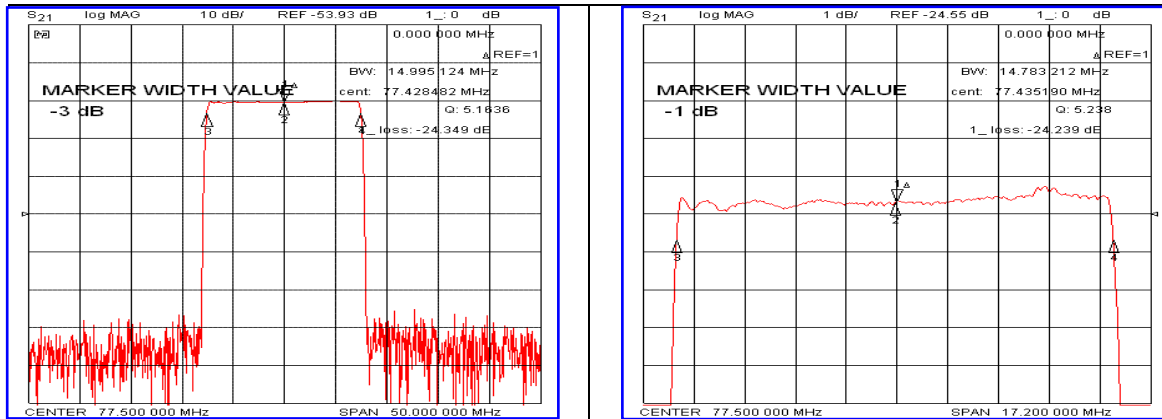


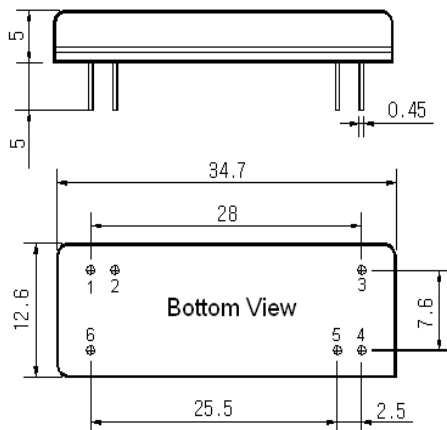
### Typical Performance



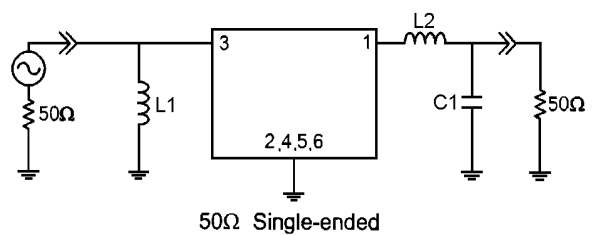
### Specification

Parameter	Unit	Min.	Typ.	Max.
Center Frequency	MHz	77.40	77.50	77.60
Insertion Loss	dB	-	24.50	26.00
1dB Bandwidth	MHz	-	14.78	-
3dB Bandwidth	MHz	14.80	14.99	-
40dB Bandwidth	MHz	-	15.90	16.00
45dB Bandwidth	MHz	-	15.95	-
Passband Ripple	dB	-	0.65	1.00
Group Delay Variation	nsec	-	50	100
Absolute Delay	usec	-	3.40	-
Ultimate Attenuation	dB	50	55	-
Substrate Material	-	128-LiNbO <sub>3</sub>		
Temperature Coefficient	ppm/°C	-72		

### Package Dimension



### Matching Configuration



L1=150nH, L2=39nH, C1=16pF  
 Source / Load Impedance = 50Ω  
 Ambient Temperature = 25°C

Rev.0 110426

