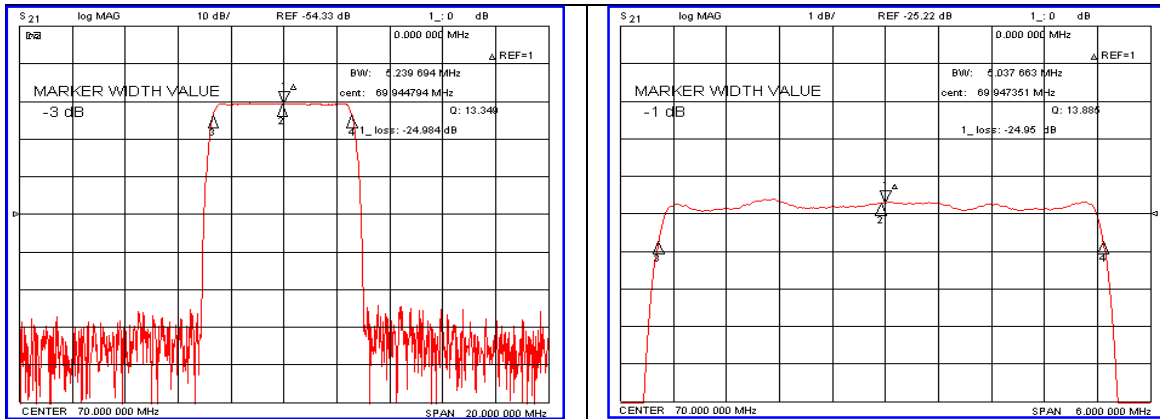


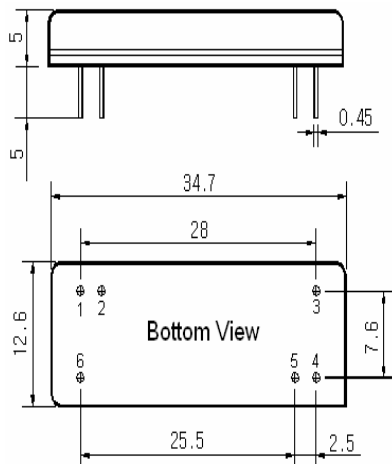
Typical Performance



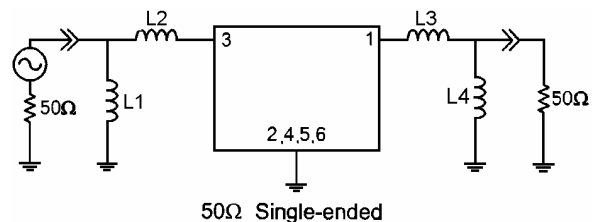
Specification

Parameter	Unit	Min.	Typ.	Max.
Center Frequency	MHz	69.92	70.00	70.08
Insertion Loss	dB	-	25.00	27.00
1dB Bandwidth	MHz	-	5.03	-
3dB Bandwidth	MHz	5.00	5.23	-
50dB Bandwidth	MHz	-	6.10	6.20
Passband Ripple	dB	-	0.40	1.00
Group Delay Variation	nsec	-	50	100
Absolute Delay	μsec	-	4.56	-
Ultimate Attenuation	dB	50	55	-
Substrate Material	-	112-LiTaO ₃		
Temperature Coefficient	ppm/°C	-20		

Package Dimension



Matching Configuration



L1=L4=100nH, L2=27nH, L3=33nH
 Source / Load Impedance = 50Ω
 Ambient Temperature = 25°C

Rev0. 070807

