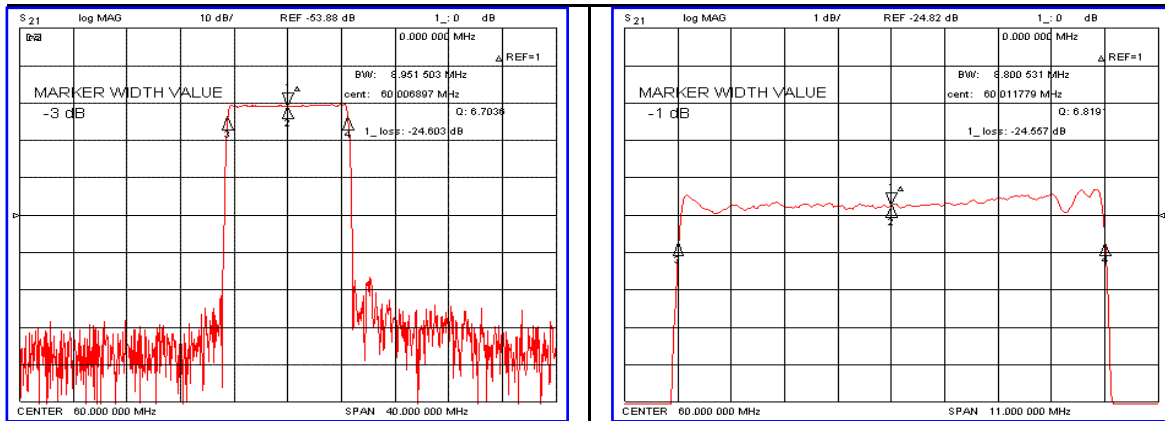


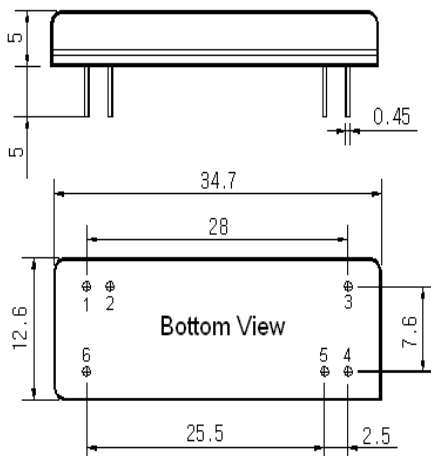
### Typical Performance



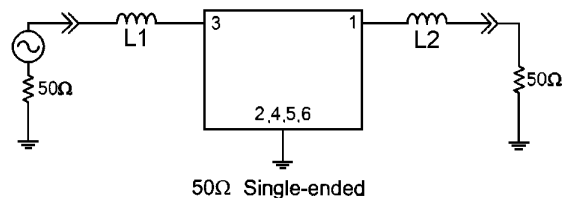
### Specification

Parameter	Unit	Min.	Typ.	Max.
Center Frequency	MHz	59.92	60.00	60.08
Insertion Loss	dB	-	24.60	26.00
1dB Bandwidth	MHz	8.70	8.80	-
3dB Bandwidth	MHz	-	8.95	-
40dB Bandwidth	MHz	-	9.61	9.70
Passband Ripple	dB	-	0.65	1.00
Group Delay Variation	nsec	-	80	120
Absolute Delay	μsec	-	4.05	-
Ultimate Attenuation	dB	-	47	-
Substrate Material	-	128-LiNbO <sub>3</sub>		
Temperature Coefficient	ppm/°C	-72		

### Package Dimension



### Matching Configuration



L1=33nH, L2=33nH  
 Source / Load Impedance = 50Ω  
 Ambient Temperature = 25°C

Rev 1. 070420

