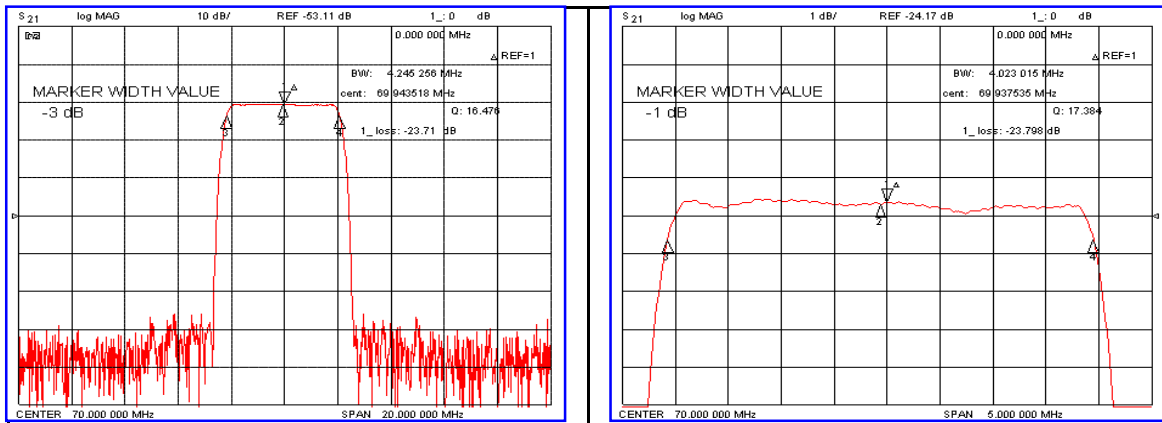


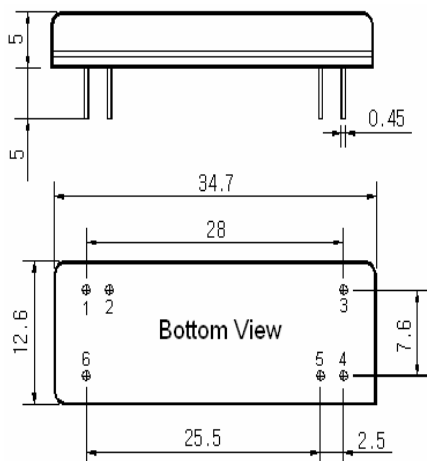
Typical Performance



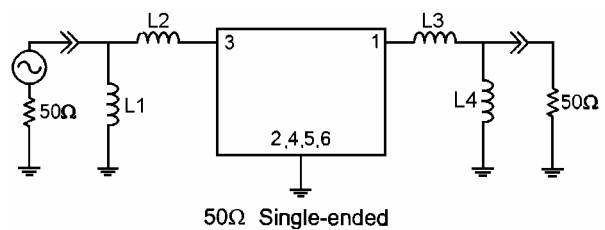
Specification

| Parameter | Unit | Min. | Typ. | Max. |
|-------------------------|--------|--------------------|-------|-------|
| Center Frequency | MHz | 69.92 | 70.00 | 70.08 |
| Insertion Loss | dB | - | 23.70 | 25.00 |
| 1dB Bandwidth | MHz | 3.90 | 4.02 | - |
| 3dB Bandwidth | MHz | - | 4.24 | - |
| 50dB Bandwidth | MHz | - | 5.18 | 5.30 |
| Passband Ripple | dB | - | 0.60 | 1.00 |
| Group Delay Variation | nsec | - | 70 | 150 |
| Absolute Delay | μsec | - | 4.43 | - |
| Ultimate Attenuation | dB | 50 | 55 | - |
| Substrate Material | - | LiTaO ₃ | | |
| Temperature Coefficient | ppm/°C | -20 | | |

Package Dimension



Matching Configuration



L1= L4=120nH, L2=L3=39nH
 Source / Load Impedance = 50Ω
 Ambient Temperature = 25°C

Rev0. 070608

