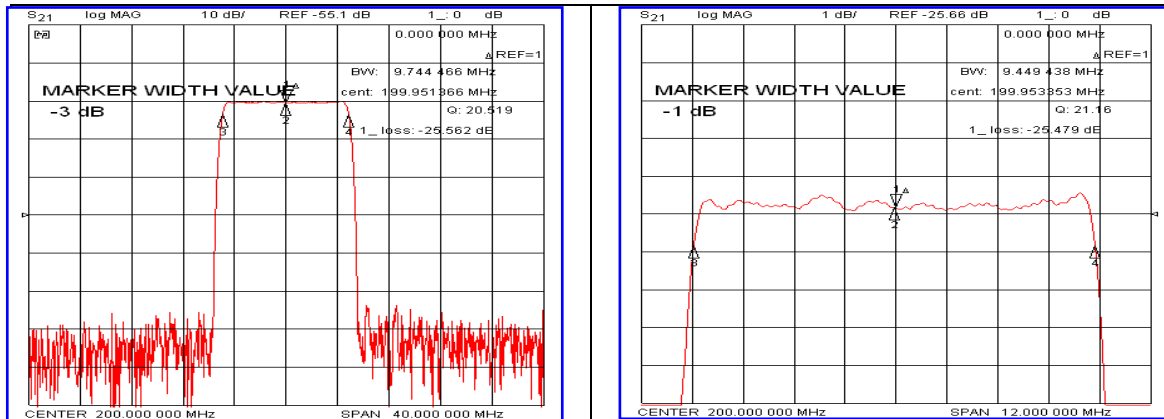


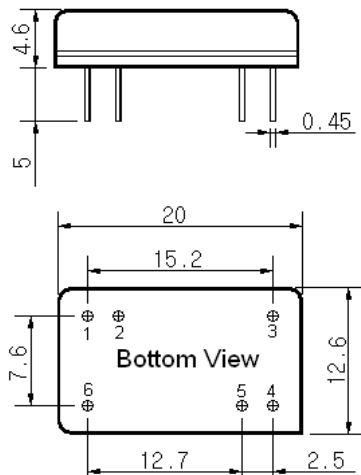
### Typical Performance



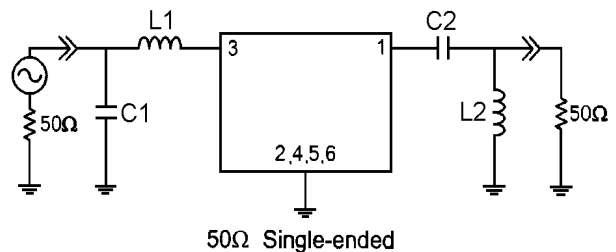
### Specification

Parameter	Unit	Min.	Typ.	Max.
Center Frequency	MHz	-	200.00	-
Insertion Loss	dB	-	25.50	27.50
1dB Bandwidth	MHz	9.30	9.44	-
3dB Bandwidth	MHz	-	9.74	-
40dB Bandwidth	MHz	-	11.05	11.15
Passband Ripple( $F_c \pm 4.5\text{MHz}$ )	dB	-	0.50	1.20
Group Delay Variation( $F_c \pm 4.5\text{MHz}$ )	nsec	-	60	120
Absolute Delay	$\mu\text{sec}$	-	2.31	-
Ultimate Attenuation	dB	-	55	-
Substrate Material	-	112-LiTaO <sub>3</sub>		
Temperature Coefficient	ppm/ $^{\circ}\text{C}$	-20		

### Package Dimension



### Matching Configuration



L1=18nH, L2=15nH, C1=36pF, C2=91pF  
 Source / Load Impedance = 50Ω  
 Ambient Temperature = 25°C

Rev0. 120924

