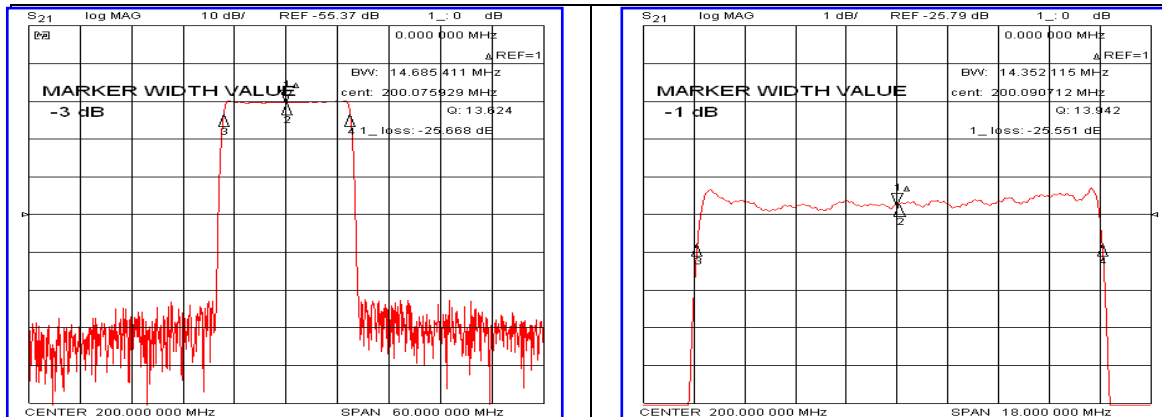


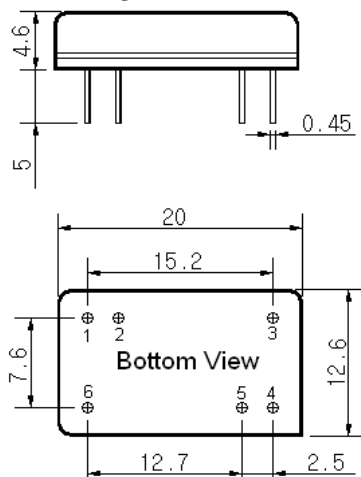
Typical Performance



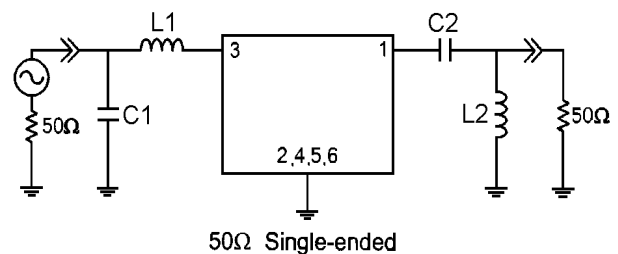
Specification

Parameter	Unit	Min.	Typ.	Max.
Center Frequency	MHz	-	200.00	-
Insertion Loss	dB	-	25.70	27.50
1dB Bandwidth	MHz	14.20	14.35	-
3dB Bandwidth	MHz	-	14.68	-
40dB Bandwidth	MHz	-	16.20	16.30
Passband Ripple($F_c \pm 6.75$ MHz)	dB	-	0.60	1.20
Group Delay Variation($F_c \pm 6.75$ MHz)	nsec	-	50	100
Absolute Delay	μ sec	-	2.31	-
Ultimate Attenuation	dB	-	55	-
Substrate Material	-	112-LiTaO ₃		
Temperature Coefficient	ppm/ $^{\circ}$ C	-20		

Package Dimension



Matching Configuration



L1=22nH, L2=15nH, C1=47pF, C2=150pF
 Source / Load Impedance = 50 Ω
 Ambient Temperature = 25 $^{\circ}$ C

Rev0. 120924

