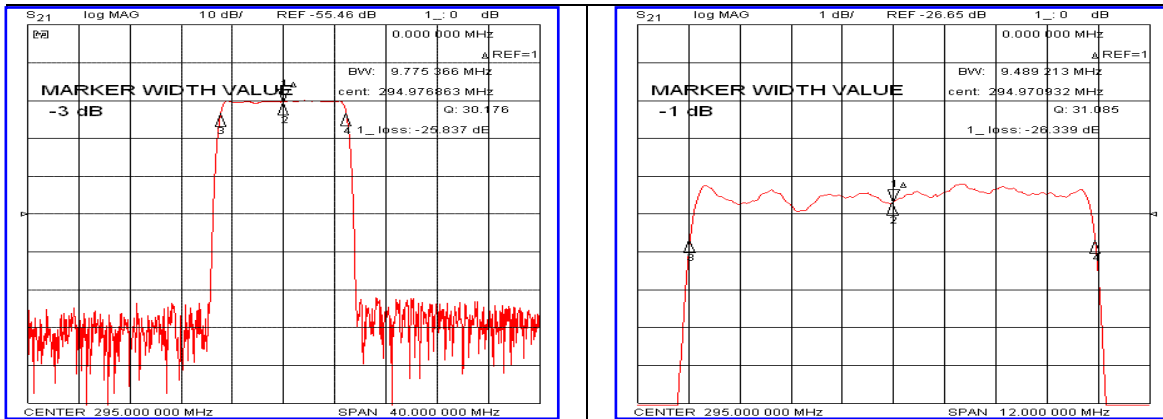


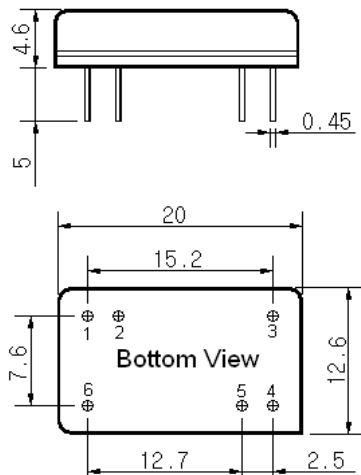
Typical Performance



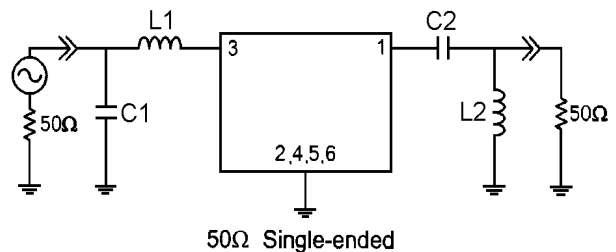
Specification

| Parameter | Unit | Min. | Typ. | Max. |
|--|-------------------------|------------------------|-------|-------|
| Center Frequency | MHz | - | 29500 | - |
| Insertion Loss | dB | - | 26.00 | 28.00 |
| 1dB Bandwidth | MHz | 9.30 | 9.48 | - |
| 3dB Bandwidth | MHz | - | 9.77 | - |
| 40dB Bandwidth | MHz | - | 11.15 | 11.30 |
| Passband Ripple($F_c \pm 4.5\text{MHz}$) | dB | - | 0.75 | 1.20 |
| Group Delay Variation($F_c \pm 4.5\text{MHz}$) | nsec | - | 60 | 120 |
| Absolute Delay | μsec | - | 2.21 | - |
| Ultimate Attenuation | dB | - | 55 | - |
| Substrate Material | - | 112-LiTaO ₃ | | |
| Temperature Coefficient | ppm/ $^{\circ}\text{C}$ | -20 | | |

Package Dimension



Matching Configuration



L1=5.6nH, L2=8.2nH, C1=22pF, C2=22pF
 Source / Load Impedance = 50Ω
 Ambient Temperature = 25°C

Rev0. 120924

