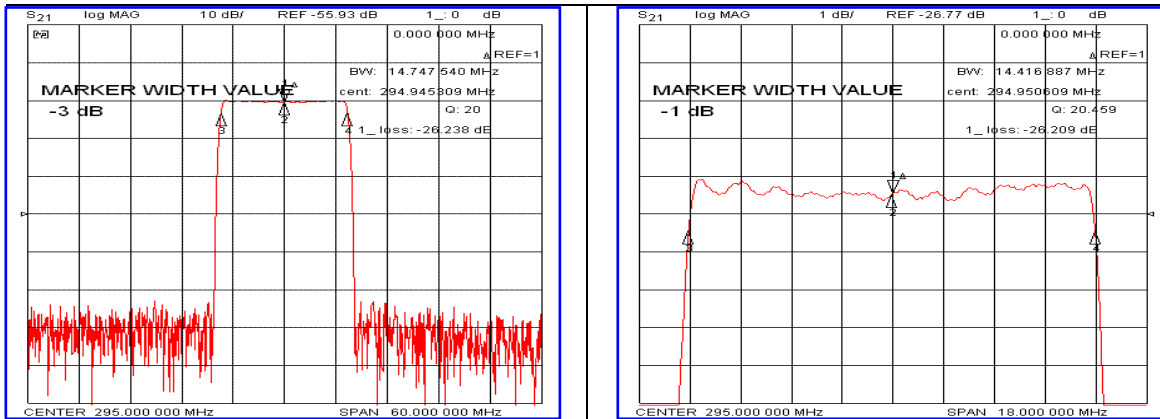


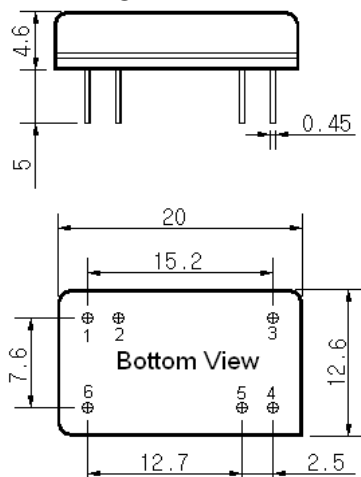
### Typical Performance



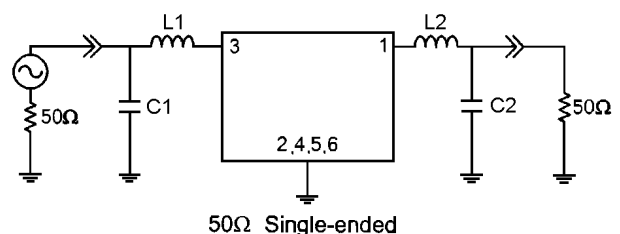
### Specification

Parameter	Unit	Min.	Typ.	Max.
Center Frequency	MHz	-	295.00	-
Insertion Loss	dB	-	26.50	28.50
1dB Bandwidth	MHz	14.20	14.41	-
3dB Bandwidth	MHz	-	14.74	-
40dB Bandwidth	MHz	-	16.20	16.30
Passband Ripple( $F_c \pm 6.75$ MHz)	dB	-	0.60	1.20
Group Delay Variation( $F_c \pm 6.75$ MHz)	nsec	-	50	100
Absolute Delay	$\mu$ sec	-	2.23	-
Ultimate Attenuation	dB	-	55	-
Substrate Material	-	112-LiTaO <sub>3</sub>		
Temperature Coefficient	ppm/ $^{\circ}$ C	-20		

### Package Dimension



### Matching Configuration



L1=8.2nH, L2=8.2nH, C1=36pF, C2=27pF  
 Source / Load Impedance = 50 $\Omega$   
 Ambient Temperature = 25 $^{\circ}$ C

Rev0. 120924

