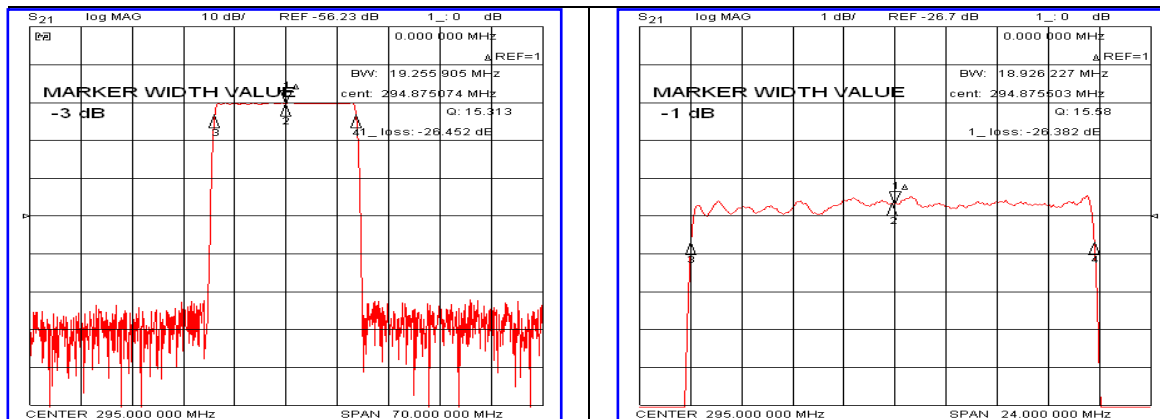


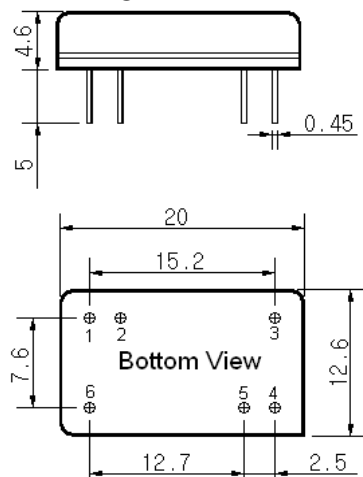
Typical Performance



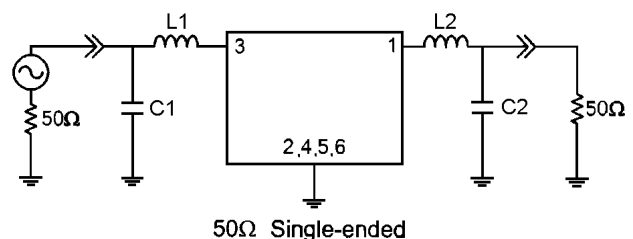
Specification

Parameter	Unit	Min.	Typ.	Max.
Center Frequency	MHz	-	295.00	-
Insertion Loss	dB	-	26.50	28.50
1dB Bandwidth	MHz	18.70	18.92	-
3dB Bandwidth	MHz	-	19.25	-
40dB Bandwidth	MHz	-	20.75	20.90
Passband Ripple(Fc ± 9MHz)	dB	-	0.55	1.20
Group Delay Variation(Fc ± 9MHz)	nsec	-	50	100
Absolute Delay	µsec	-	2.23	-
Ultimate Attenuation	dB	-	55	-
Substrate Material	-	112-LiTaO ₃		
Temperature Coefficient	ppm/°C	-20		

Package Dimension



Matching Configuration



L1=8.2nH, L2=8.2nH, C1=39pF, C2=27pF
 Source / Load Impedance = 50Ω
 Ambient Temperature = 25°C

Rev0. 120924

