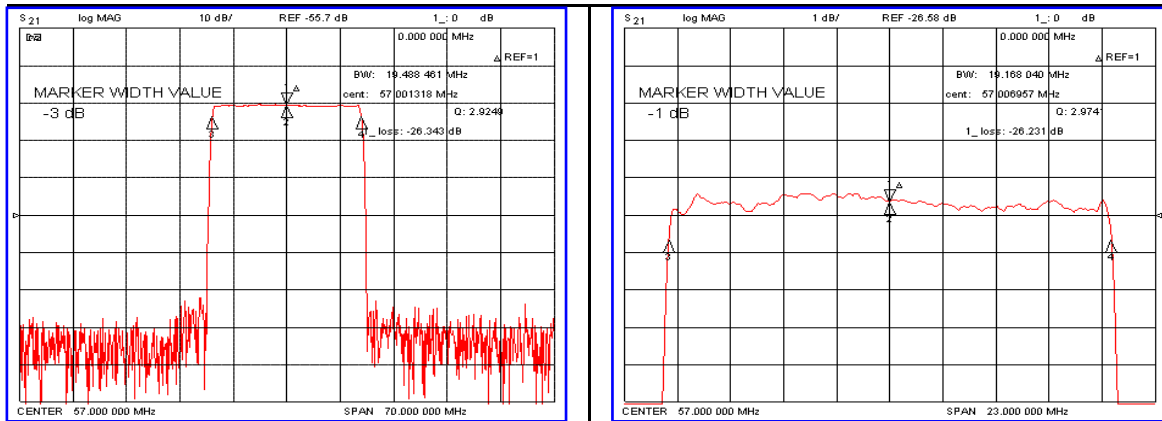


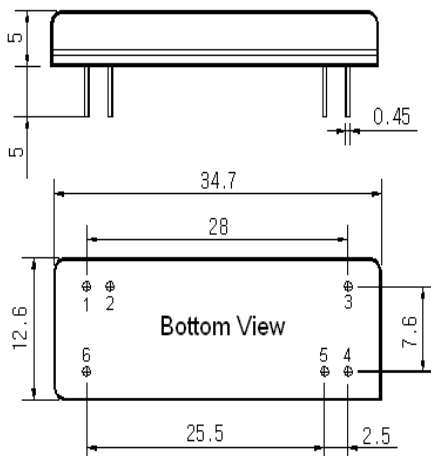
Typical Performance



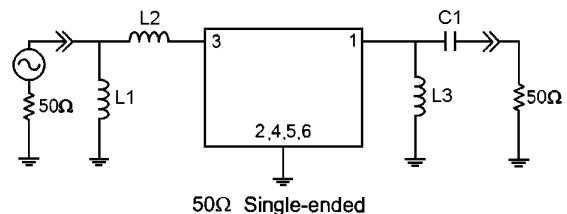
Specification

| Parameter | Unit | Min. | Typ. | Max. |
|-------------------------|--------|------------------------|-------|-------|
| Center Frequency | MHz | 56.92 | 57.00 | 57.08 |
| Insertion Loss | dB | - | 26.35 | 27.50 |
| 1dB Bandwidth | MHz | - | 19.16 | - |
| 3dB Bandwidth | MHz | 19.40 | 19.48 | - |
| 40dB Bandwidth | MHz | - | 20.77 | 21.00 |
| Passband Ripple | dB | - | 0.60 | 1.00 |
| Group Delay Variation | nsec | - | 35 | 60 |
| Absolute Delay | μsec | - | 2.51 | - |
| Ultimate Attenuation | dB | 50 | 55 | - |
| Substrate Material | - | 128-LiNbO ₃ | | |
| Temperature Coefficient | ppm/°C | -72 | | |

Package Dimension



Matching Configuration



L1=390nH, L2=150nH, L3=180nH, C1=39pF
 Source / Load Impedance = 50Ω
 Ambient Temperature = 25°C

Rev 0. 070517

