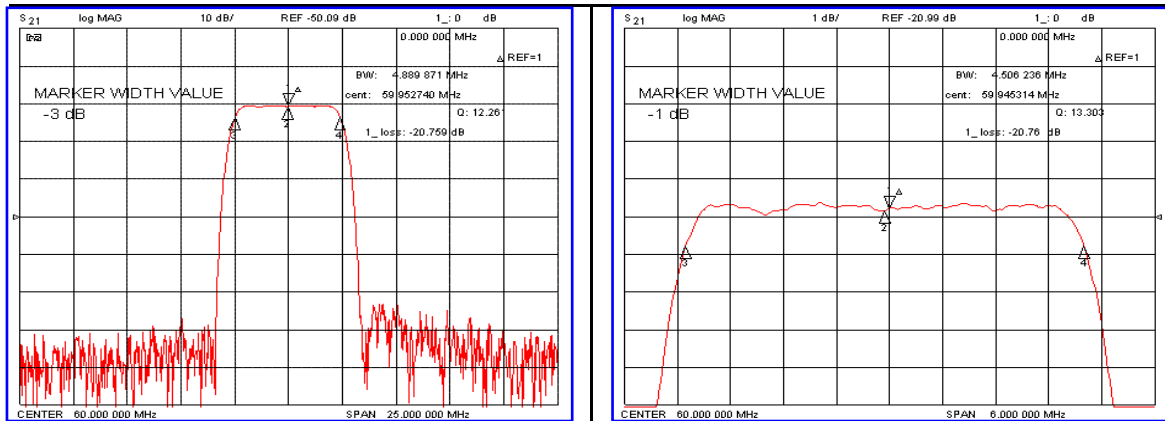


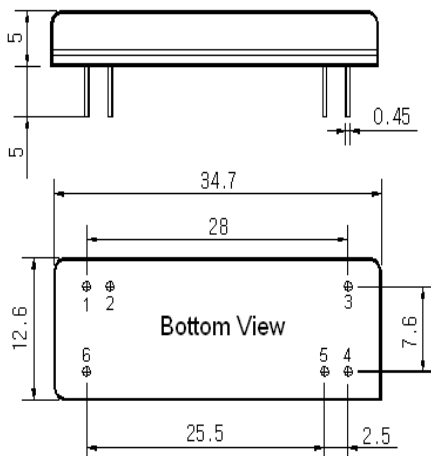
Typical Performance



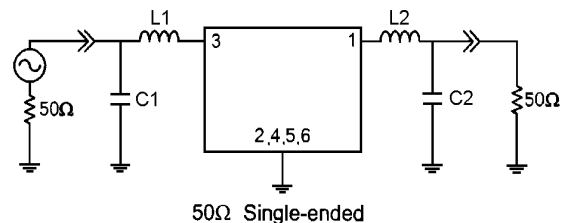
Specification

Parameter	Unit	Min.	Typ.	Max.
Center Frequency	MHz	59.92	60.00	60.08
Insertion Loss	dB	-	20.80	23.00
1dB Bandwidth	MHz	-	4.50	-
3dB Bandwidth	MHz	4.70	4.88	-
40dB Bandwidth	MHz	-	6.45	6.60
Passband Ripple	dB	-	0.55	1.00
Group Delay Variation	nsec	-	100	200
Absolute Delay	μsec	-	1.91	-
Ultimate Attenuation	dB	50	53	-
Substrate Material	-	Yz-LiNbO ₃		
Temperature Coefficient	ppm/°C	-94		

Package Dimension



Matching Configuration



L1=L2=82nH, C1=C2=22pF
 Source / Load Impedance = 50Ω
 Ambient Temperature = 25°C

Rev 0. 070705

