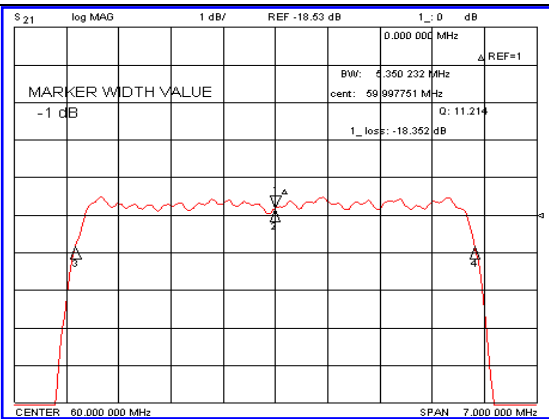
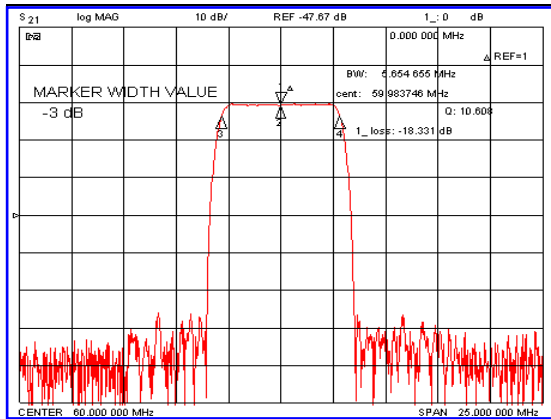


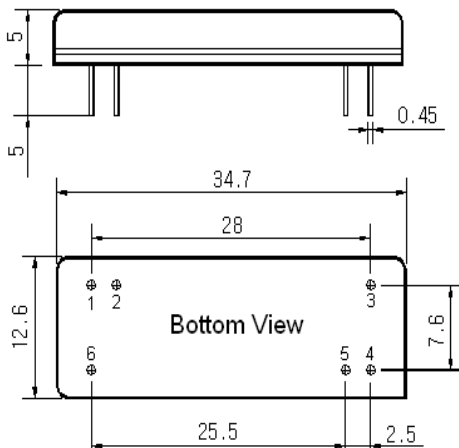
### Typical Performance



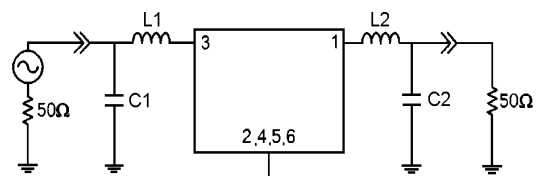
### Specification

Parameter	Unit	Min.	Typ.	Max.
Center Frequency	MHz	59.92	60.00	60.08
Insertion Loss	dB	-	18.33	21.00
1dB Bandwidth	MHz	-	5.35	-
3dB Bandwidth	MHz	5.50	5.65	-
30dB Bandwidth	MHz	-	6.74	-
40dB Bandwidth	MHz	-	6.90	7.00
Passband Ripple	dB	-	0.50	1.00
Group Delay Variation	nsec	-	100	200
Absolute Delay	μsec	-	2.37	-
Ultimate Attenuation	dB	50	55	-
Substrate Material	-	128-LiNbO <sub>3</sub>		
Temperature Coefficient	ppm/°C	-72		

### Package Dimension



### Matching Configuration



50Ω Single-ended

L1=L2=68nH, C1=C2=24pF  
 Source / Load Impedance = 50Ω  
 Ambient Temperature = 25°C

Rev0. 071107

