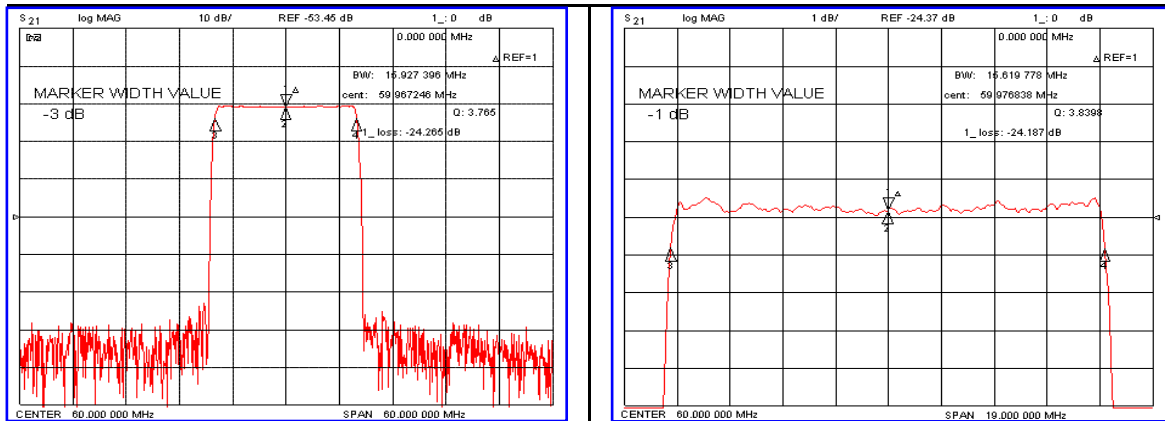


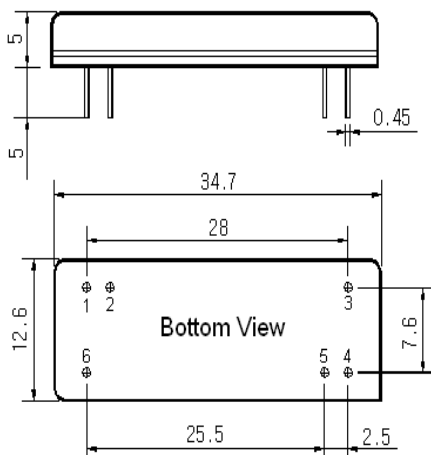
### Typical Performance



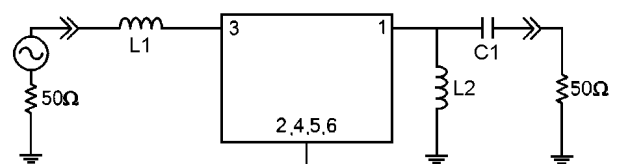
### Specification

Parameter	Unit	Min.	Typ.	Max.
Center Frequency	MHz	59.92	60.00	60.08
Insertion Loss	dB	-	24.50	26.00
1dB Bandwidth	MHz	-	15.61	-
3dB Bandwidth	MHz	15.80	15.92	-
30dB Bandwidth	MHz	-	17.10	-
40dB Bandwidth	MHz	-	17.25	17.40
Passband Ripple	dB	-	0.50	1.00
Group Delay Variation	nsec	-	50	100
Absolute Delay	μsec	-	2.45	-
Ultimate Attenuation	dB	50	55	-
Substrate Material	-	128-LiNbO <sub>3</sub>		
Temperature Coefficient	ppm/°C	-72		

### Package Dimension



### Matching Configuration



50Ω Single-ended

L1=180nH, L2=180nH, C1=68pF  
 Source / Load Impedance = 50Ω  
 Ambient Temperature = 25°C

Rev 0. 070705

