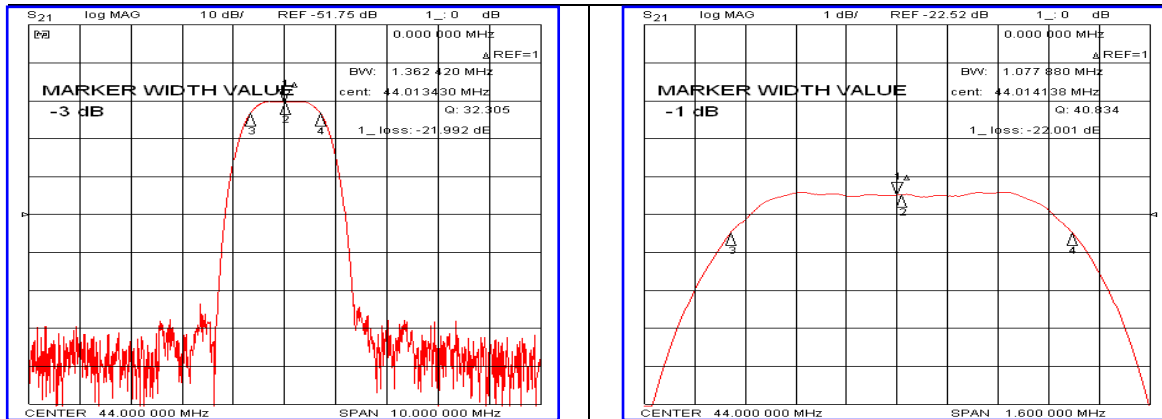


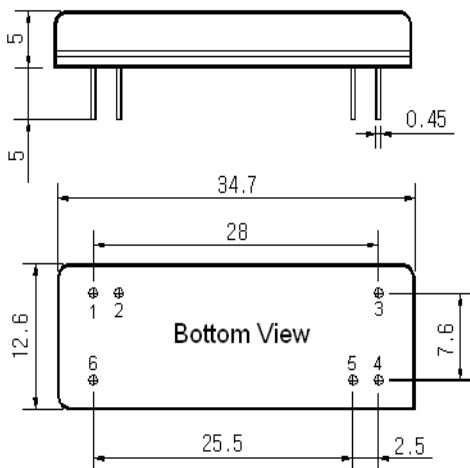
### Typical Performance



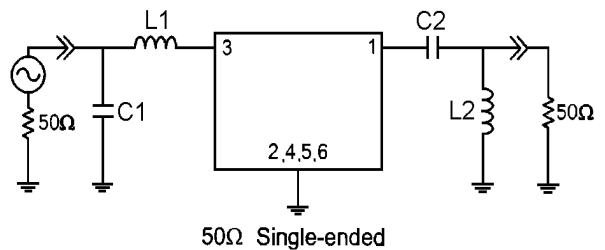
### Specification

Parameter	Unit	Min.	Typ.	Max.
Center Frequency	MHz	43.90	44.00	44.10
Insertion Loss	dB	-	22.00	24.00
1dB Bandwidth	MHz	-	1.07	-
3dB Bandwidth	MHz	1.20	1.36	-
40dB Bandwidth	MHz	-	2.50	2.70
Passband Ripple	dB	-	0.40	1.00
Group Delay Variation	nsec	-	100	200
Absolute Delay	µsec	-	4.52	-
Ultimate Attenuation	dB	50	53	-
Substrate Material	-	112-LiTaO <sub>3</sub>		
Temperature Coefficient	ppm/°C	-20		

### Package Dimension



### Matching Configuration



L1=100nH, L2=270nH, C1=24pF, C2=300pF  
 Source / Load Impedance = 50Ω  
 Ambient Temperature = 25°C

Rev0. 120221

