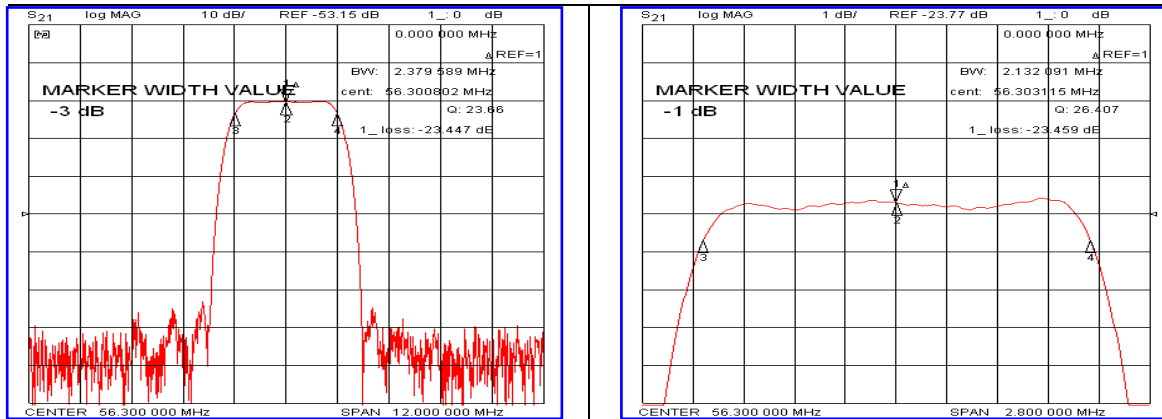


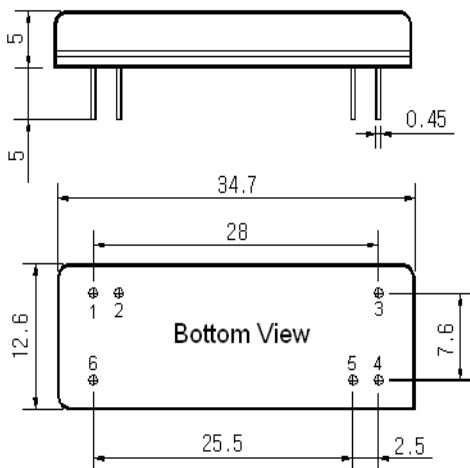
Typical Performance



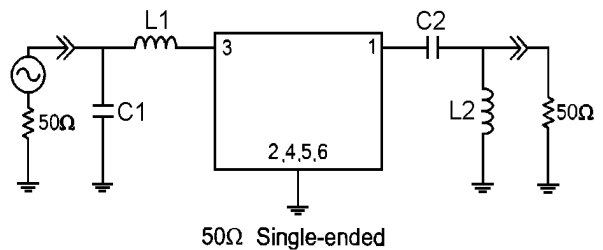
Specification

Parameter	Unit	Min.	Typ.	Max.
Center Frequency	MHz	56.20	56.30	56.40
Insertion Loss	dB	-	23.50	25.50
1dB Bandwidth	MHz	-	2.13	-
3dB Bandwidth	MHz	2.20	2.37	-
40dB Bandwidth	MHz	-	3.40	3.60
Passband Ripple	dB	-	0.40	1.00
Group Delay Variation	nsec	-	100	200
Absolute Delay	µsec	-	4.32	-
Ultimate Attenuation	dB	50	53	-
Substrate Material	-	112-LiTaO ₃		
Temperature Coefficient	ppm/°C	-20		

Package Dimension



Matching Configuration



L1=100nH, L2=270nH, C1=24pF, C2=300pF
 Source / Load Impedance = 50Ω
 Ambient Temperature = 25°C

Rev0. 120221

