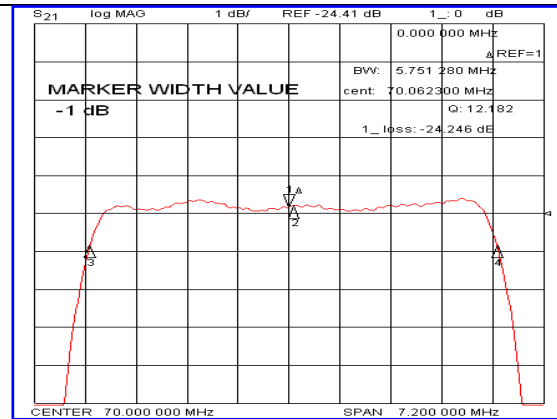
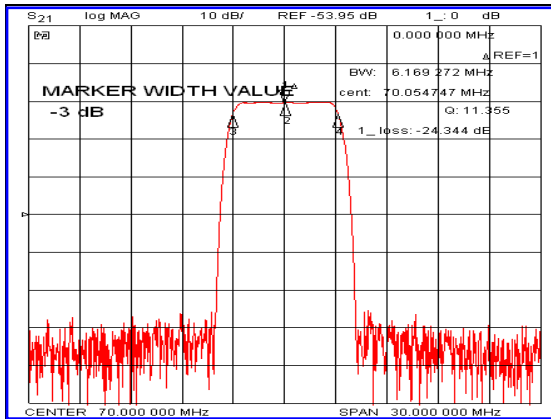


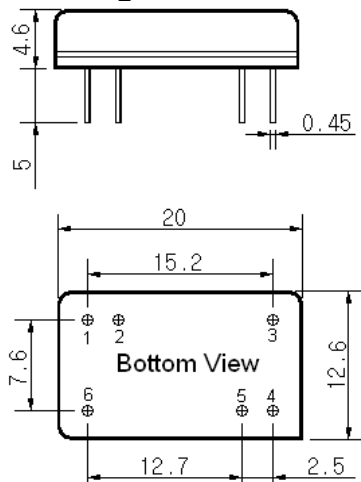
Typical Performance



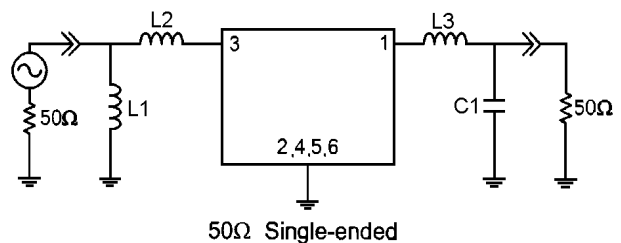
Specification

Parameter	Unit	Min.	Typ.	Max.
Center Frequency	MHz	-	70.00	-
Insertion Loss	dB	-	24.50	26.00
1dB Bandwidth	MHz	-	5.75	-
3dB Bandwidth	MHz	6.00	6.16	-
45dB Bandwidth	MHz	-	8.00	8.10
Passband Ripple($F_c \pm 2.5$ MHz)	dB	-	0.50	1.00
Group Delay Variation($F_c \pm 2.5$ MHz)	nsec	-	100	200
Absolute Delay	μ sec	-	3.00	-
Ultimate Attenuation	dB	50	55	-
Substrate Material	-	112-LiTaO ₃		
Temperature Coefficient	ppm/ $^{\circ}$ C	-20		

Package Dimension



Matching Configuration



L1=100nH, L2=100nH, L3=220nH, C1=27pF
Source / Load Impedance = 50 Ω
Ambient Temperature = 25 $^{\circ}$ C

Rev0. 101011

