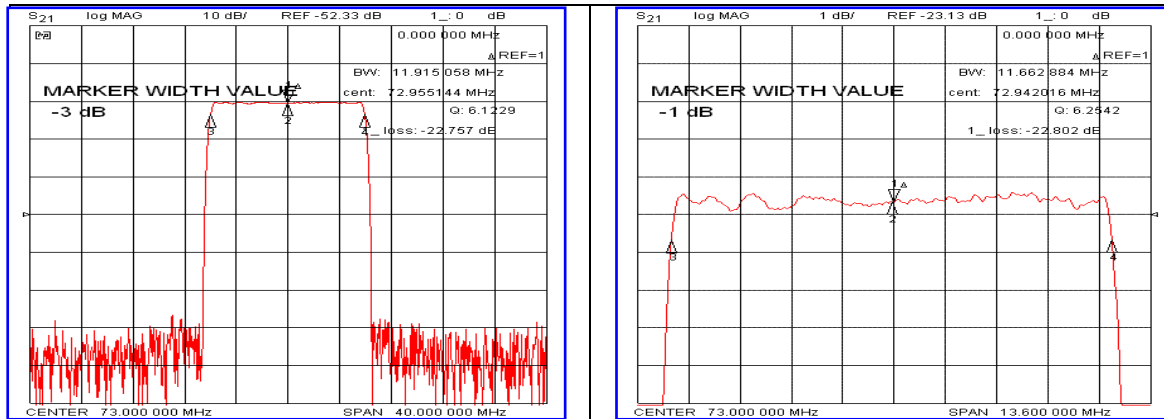


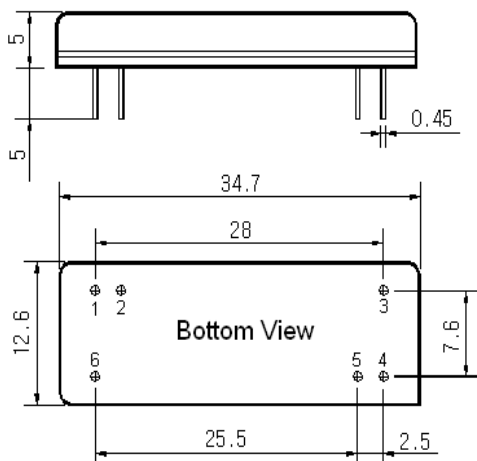
## Typical Performance



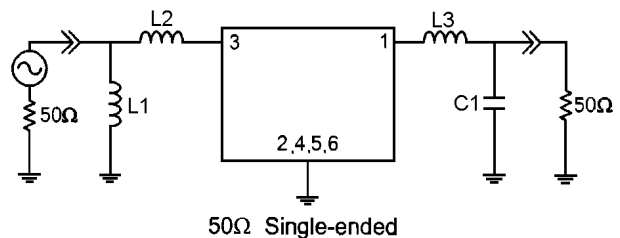
## Specification

Parameter	Unit	Min.	Typ.	Max.
Center Frequency	MHz	-	73.00	-
Insertion Loss	dB	-	23.00	25.00
1dB Bandwidth	MHz	-	11.66	-
3dB Bandwidth	MHz	11.80	11.91	-
45dB Bandwidth	MHz	-	13.00	13.10
Passband Ripple( $F_c \pm 5.5$ MHz)	dB	-	0.60	1.00
Group Delay Variation( $F_c \pm 5.5$ MHz)	nsec	-	100	200
Absolute Delay	$\mu$ sec	-	3.00	-
Ultimate Attenuation	dB	50	55	-
Substrate Material	-	128-LiNbO <sub>3</sub>		
Temperature Coefficient	ppm/ $^{\circ}$ C	-72		

## Package Dimension



## Matching Configuration



L1=180nH, L2=22nH, L3=39nH, C1=27pF  
 Source / Load Impedance = 50 $\Omega$   
 Ambient Temperature = 25 $^{\circ}$ C

Rev0. 101011

