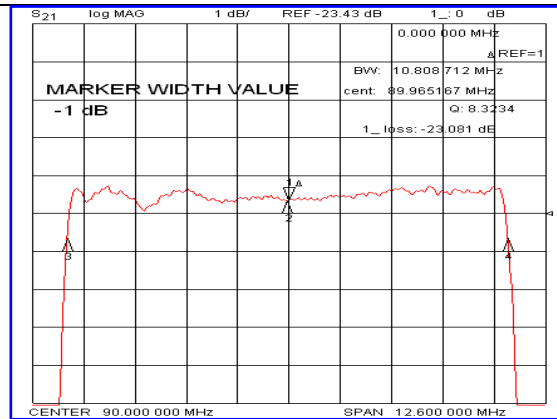
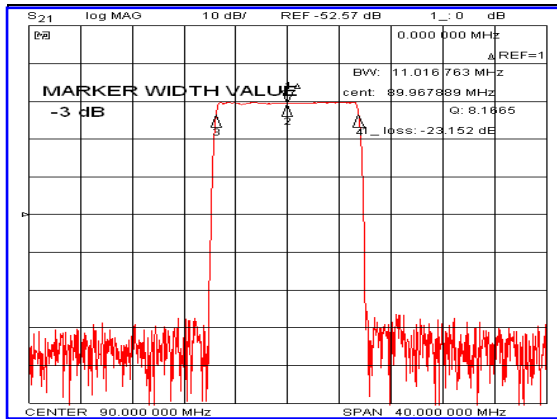


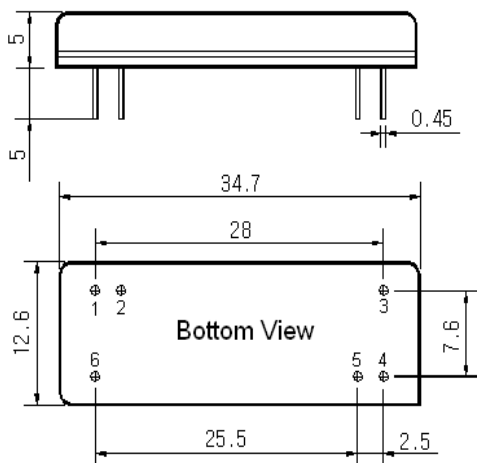
Typical Performance



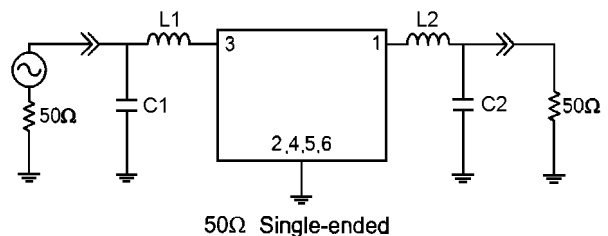
Specification

Parameter	Unit	Min.	Typ.	Max.
Center Frequency	MHz	-	76.00	-
Insertion Loss	dB	-	23.50	25.00
1dB Bandwidth	MHz	-	10.80	-
3dB Bandwidth	MHz	10.90	11.00	-
45dB Bandwidth	MHz	-	12.00	12.10
Passband Ripple($F_c \pm 5$ MHz)	dB	-	0.70	1.00
Group Delay Variation($F_c \pm 5$ MHz)	nsec	-	100	200
Absolute Delay	μ sec	-	3.12	-
Ultimate Attenuation	dB	50	55	-
Substrate Material	-	128-LiNbO ₃		
Temperature Coefficient	ppm/ $^{\circ}$ C	-72		

Package Dimension



Matching Configuration



L1=15nH, L2=15nH, C1=14pF, C2=14pF
 Source / Load Impedance = 50 Ω
 Ambient Temperature = 25 $^{\circ}$ C

Rev0. 101011

