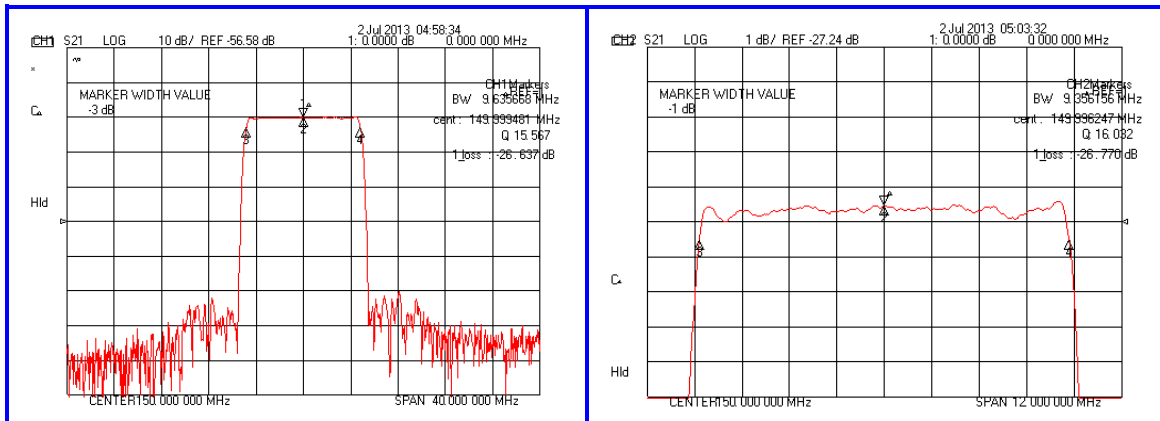


Typical Performance

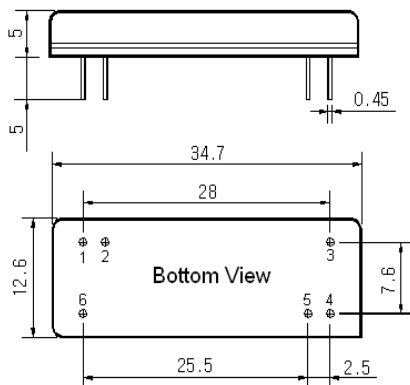


Specification

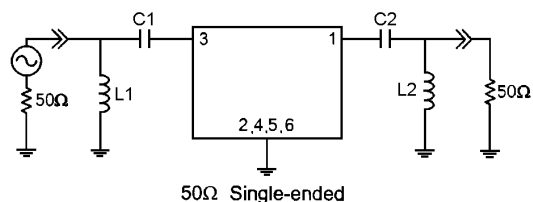
Parameter	Unit	Min.	Typ.	Max.
Center Frequency	MHz	-	150.00	-
Insertion Loss	dB	-	26.70	28.50
1dB Bandwidth	MHz	9.25	9.35	-
3dB Bandwidth	MHz	-	9.63	-
40dB Bandwidth	MHz	-	10.77	10.90
Amplitude Ripple (Fc±4.5075MHz)	dB	-	0.60	1.20
Group Delay Variation (Fc±4.5075MHz)	nsec	-	55	120
Absolute Delay	µsec	-	2.31	-
Ultimate Attenuation	dB	48	53	-
Substrate Material / T.C.F	ppm/°C	112-LiTaO ₃ / -20		
Package	mm	35 X 12 (DIP)		

계측기 설정 : Input Power : +10dBm 인가

Package Dimension



Matching Configuration



L1=18nH, L2=22nH C1=270pF, 180pF
 Source / Load Impedance = 50Ω
 Ambient Temperature = 25°C

Rev.1 130705

