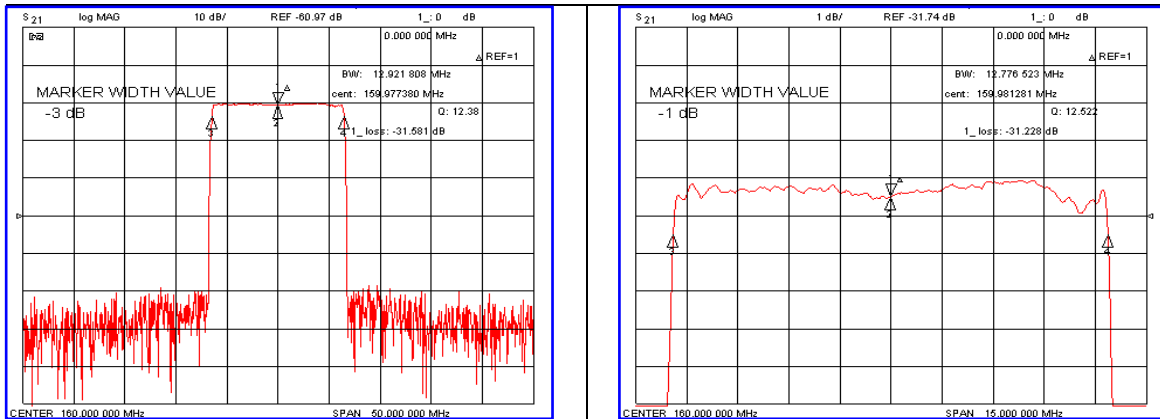


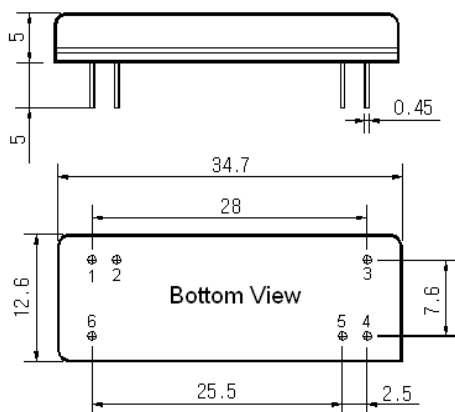
Typical Performance



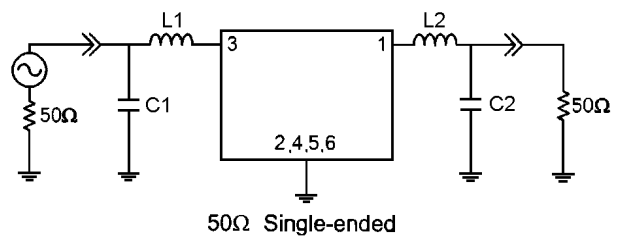
Specification

Parameter	Unit	Min.	Typ.	Max.
Center Frequency	MHz	-	160.00	-
Insertion Loss	dB	-	31.58	33.00
1dB Bandwidth	MHz	-	12.77	-
Relative Attenuation				
Passband Edge±400KHz	dB	10	14	-
Passband Edge±600KHz	dB	20	45	-
Passband Edge±1.0MHz	dB	40	48	-
Passband Edge±5.0MHz	dB	45	53	-
Passband Ripple(Fc±6.25MHz)	dB	-	0.88	1.00
Group Delay Variation	nsec	-	100	200
Absolute Delay	usec	-	4.97	-
Ultimate Attenuation	dB	-	50	-
Substrate Material	-	112-LiTaO ₃		
Temperature Coefficient	ppm/°C	-20		

Package Dimension



Matching Configuration



L1=22nH, L2=33nH, C1=56pF, C2=56pF
 Source / Load Impedance = 50Ω
 Ambient Temperature = 25°C

Rev.0 090417

