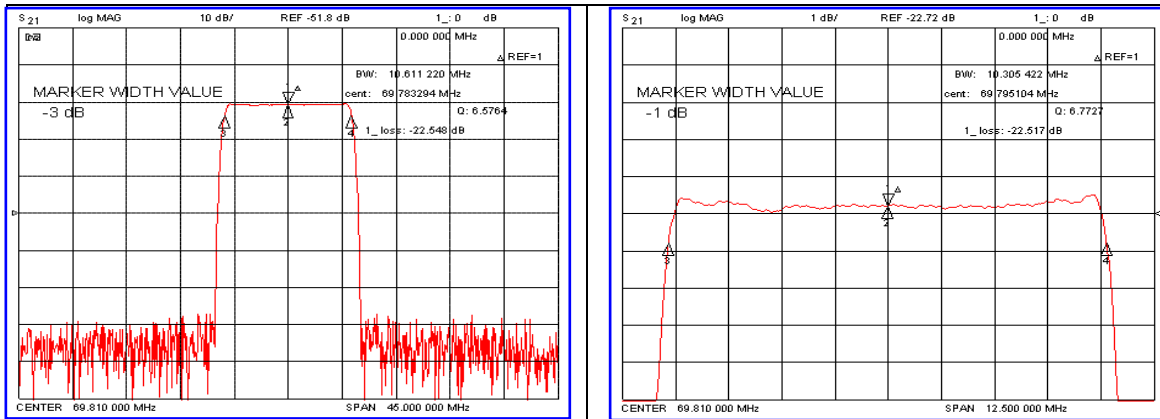


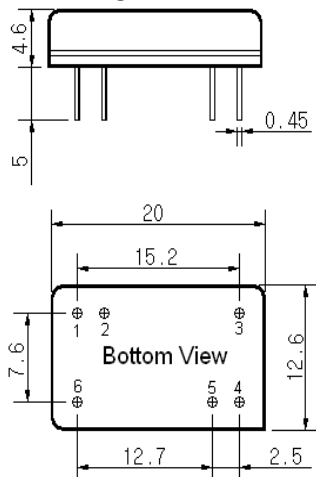
### Typical Performance



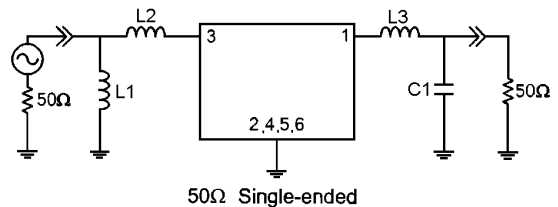
### Specification

| Parameter               | Unit   | Min.                   | Typ.  | Max.  |
|-------------------------|--------|------------------------|-------|-------|
| Center Frequency        | MHz    | 69.73                  | 69.81 | 69.89 |
| Insertion Loss          | dB     | -                      | 22.60 | 24.50 |
| 1dB Bandwidth           | MHz    | -                      | 10.30 | -     |
| 3dB Bandwidth           | MHz    | 10.50                  | 10.61 | -     |
| 40dB Bandwidth          | MHz    | -                      | 11.90 | 12.00 |
| Passband Ripple         | dB     | -                      | 0.50  | 1.00  |
| Group Delay Variation   | nsec   | -                      | 35    | 70    |
| Absolute Delay          | μsec   | -                      | 2.20  | -     |
| Ultimate Attenuation    | dB     | 50                     | 55    | -     |
| Substrate Material      | -      | 128-LiNbO <sub>3</sub> |       |       |
| Temperature Coefficient | ppm/°C | -72                    |       |       |

### Package Dimension



### Matching Configuration



L1=270nH, L2=39nH, L3=39nH, C1=30pF  
 Source / Load Impedance = 50Ω  
 Ambient Temperature = 25°C

Rev0. 070410

