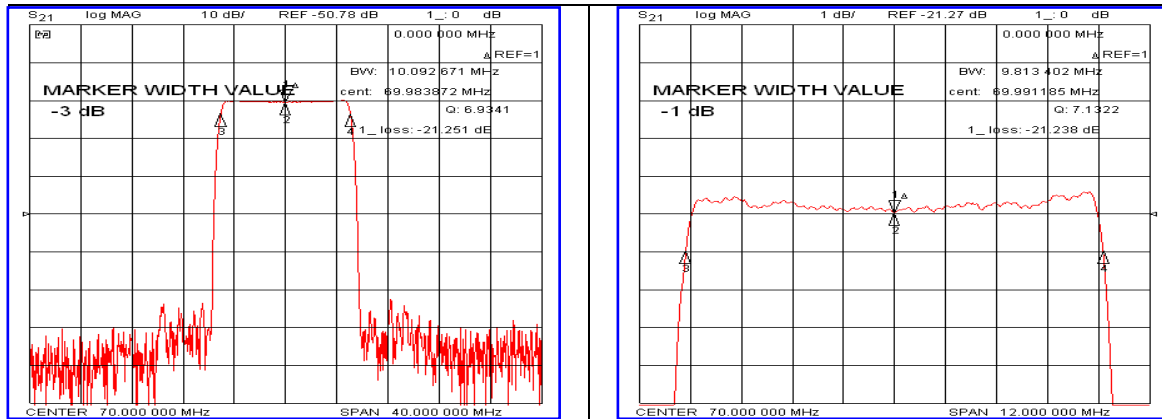


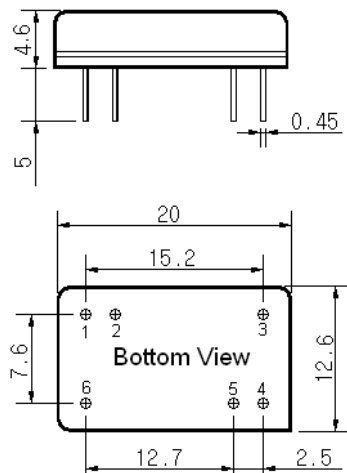
Typical Performance



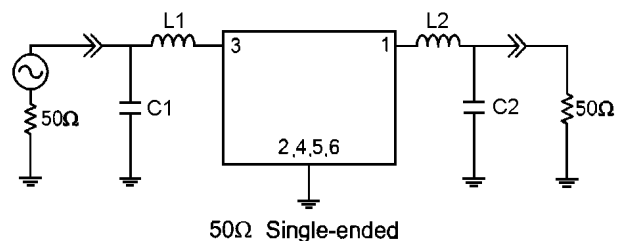
Specification

Parameter	Unit	Min.	Typ.	Max.
Center Frequency	MHz	-	70.00	-
Insertion Loss	dB	-	21.50	23.50
1dB Bandwidth	MHz	9.60	9.81	-
20dB Bandwidth	MHz	-	11.00	11.10
40dB Bandwidth	MHz	-	11.40	-
Passband Ripple($F_c \pm 4.5$ MHz)	dB	-	0.60	1.20
Group Delay Variation($F_c \pm 4.5$ MHz)	nsec	-	50	100
Absolute Delay	usec	-	2.20	-
Ultimate Attenuation	dB	45	50	-
Substrate Material	-	128-LiNbO ₃		
Temperature Coefficient	ppm/°C	-72		

Package Dimension



Matching Configuration



L1=82nH, L2=18nH, C1=15pF, C2=13pF
Source / Load Impedance = 50Ω
Ambient Temperature = 25°C

Rev.0 120515

