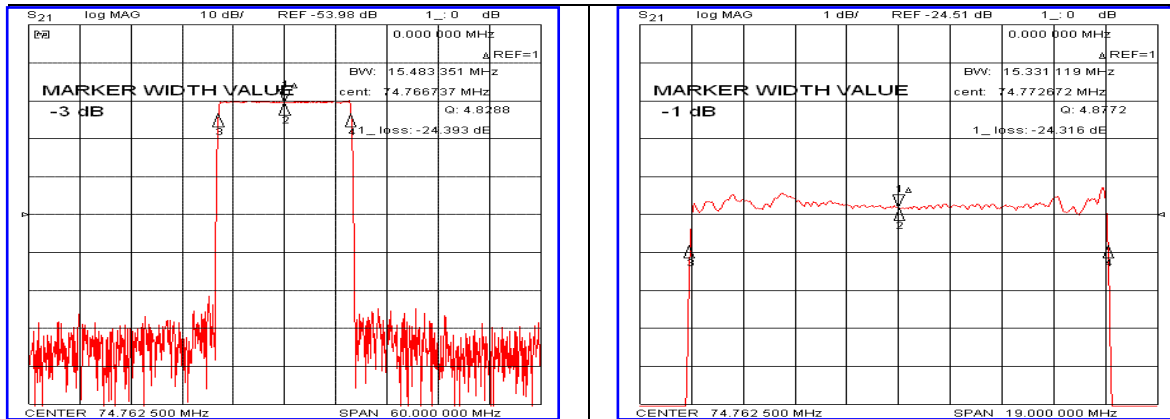


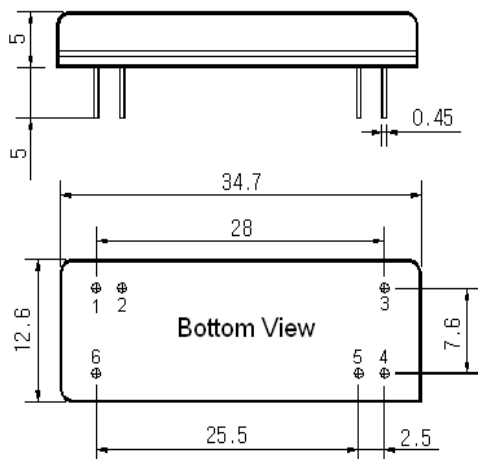
Typical Performance



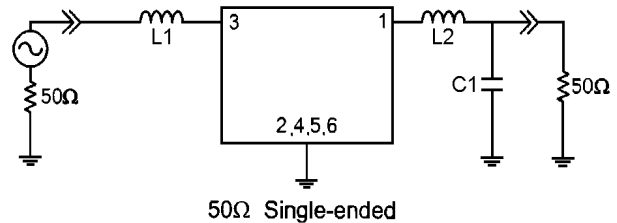
Specification

Parameter	Unit	Min.	Typ.	Max.
Center Frequency	MHz	-	74.7625	-
Insertion Loss	dB	-	25.00	27.00
1dB Bandwidth	MHz	15.10	15.32	-
20dB Bandwidth	MHz	-	16.00	16.10
40dB Bandwidth	MHz	-	16.21	-
Passband Ripple( $F_c \pm 7.2375$ MHz)	dB	-	0.70	1.20
Group Delay Variation( $F_c \pm 7.2375$ MHz)	nsec	-	100	200
Absolute Delay	usec	-	3.66	-
Ultimate Attenuation	dB	45	50	-
Substrate Material	-	128-LiNbO <sub>3</sub>		
Temperature Coefficient	ppm/°C	-72		

Package Dimension



Matching Configuration



L1=68nH, L2=56nH, C1=5pF  
Source / Load Impedance = 50Ω  
Ambient Temperature = 25°C

Rev.0 120924

