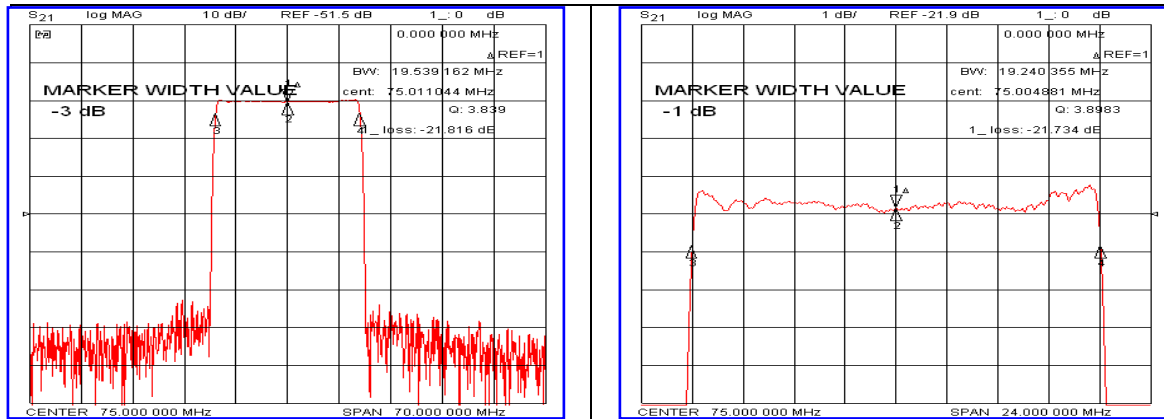


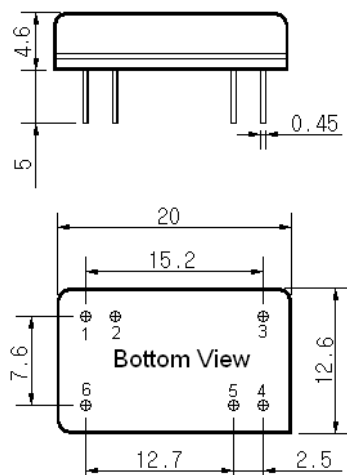
### Typical Performance



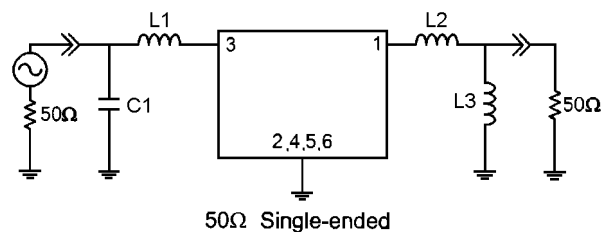
### Specification

Parameter	Unit	Min.	Typ.	Max.
Center Frequency	MHz	-	75.00	-
Insertion Loss	dB	-	22.00	24.00
1dB Bandwidth	MHz	19.00	19.24	-
20dB Bandwidth	MHz	-	20.50	20.60
40dB Bandwidth	MHz	-	20.90	-
Passband Ripple( $F_c \pm 9.0$ MHz)	dB	-	0.70	1.20
Group Delay Variation( $F_c \pm 9.0$ MHz)	nsec	-	50	100
Absolute Delay	usec	-	2.20	-
Ultimate Attenuation	dB	45	50	-
Substrate Material	-	128-LiNbO <sub>3</sub>		
Temperature Coefficient	ppm/°C	-72		

### Package Dimension



### Matching Configuration



L1=180nH, L2=68nH, L3=270nH, C1=20pF  
 Source / Load Impedance = 50Ω  
 Ambient Temperature = 25°C

Rev.0 120515

