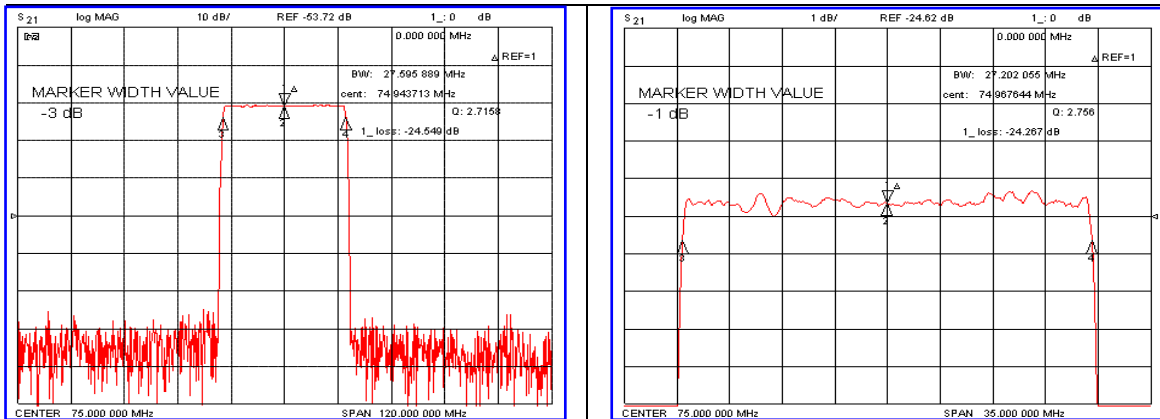


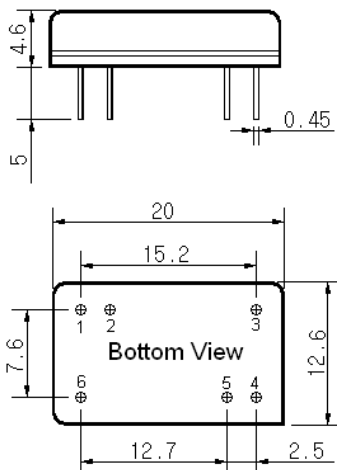
Typical Performance



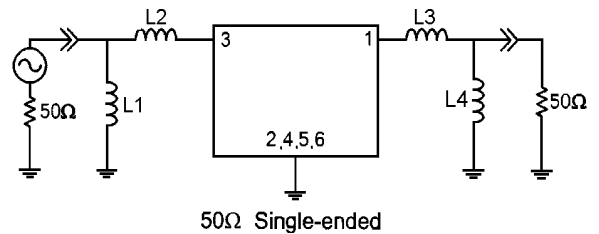
Specification

Parameter	Unit	Min.	Typ.	Max.
Center Frequency	MHz	74.92	75.00	75.08
Insertion Loss	dB	-	24.60	26.00
1dB Bandwidth	MHz	-	27.20	-
3dB Bandwidth	MHz	27.40	27.59	-
40dB Bandwidth	MHz	-	29.35	29.50
Passband Ripple	dB	-	0.70	1.00
Group Delay Variation	nsec	-	50	100
Absolute Delay	μsec	-	1.94	-
Ultimate Attenuation	dB	50	55	-
Substrate Material	-	128-LiNbO ₃		
Temperature Coefficient	ppm/°C	-72		

Package Dimension



Matching Configuration



L1=L4=390nH, L3=100nH, L4=180nH
 Source / Load Impedance = 50Ω
 Ambient Temperature = 25°C

Rev0. 070620

