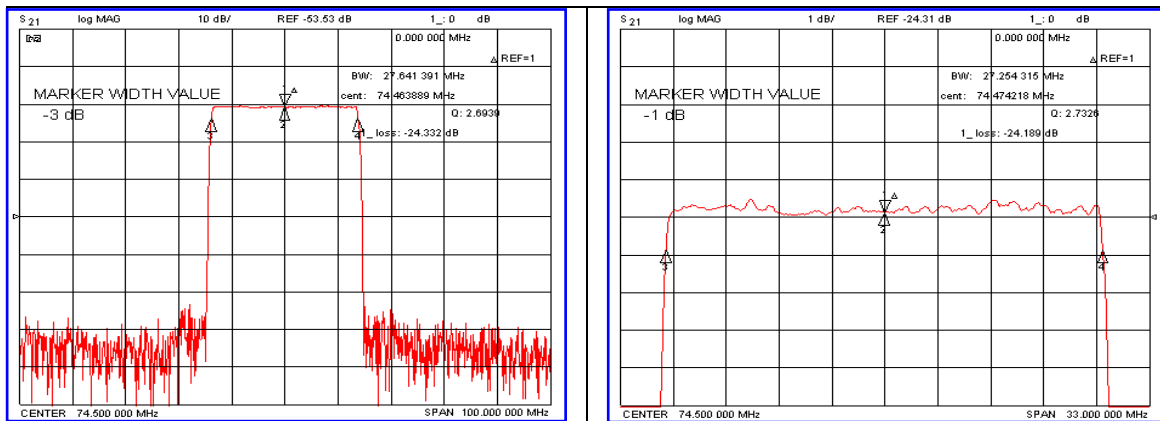


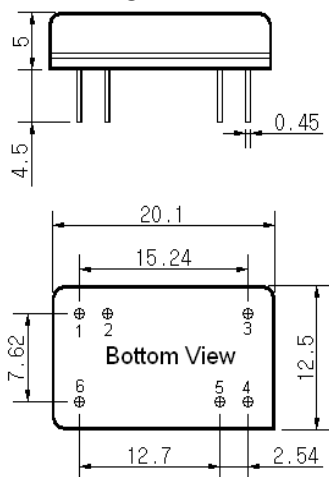
### Typical Performance



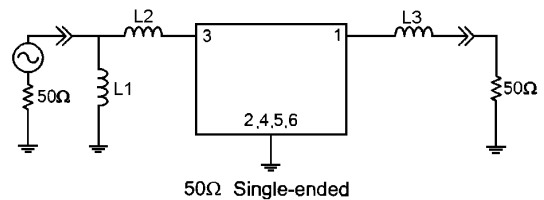
### Specification

Parameter	Unit	Min.	Typ.	Max.
Center Frequency	MHz	74.42	74.50	74.58
Insertion Loss	dB	-	24.33	26.00
1dB Bandwidth	MHz	-	27.25	-
3dB Bandwidth	MHz	27.50	27.61	-
40dB Bandwidth	MHz	-	29.31	29.50
Passband Ripple	dB	-	0.45	1.00
Group Delay Variation	nsec	-	30	50
Absolute Delay	μsec	-	1.89	-
Ultimate Attenuation	dB	50	55	-
Substrate Material	-	128-LiNbO <sub>3</sub>		
Temperature Coefficient	ppm/°C	-72		

### Package Dimension



### Matching Configuration



L1=390nH, L2= L3=150nH  
 Source / Load Impedance = 50Ω  
 Ambient Temperature = 25°C

Rev0.070730

