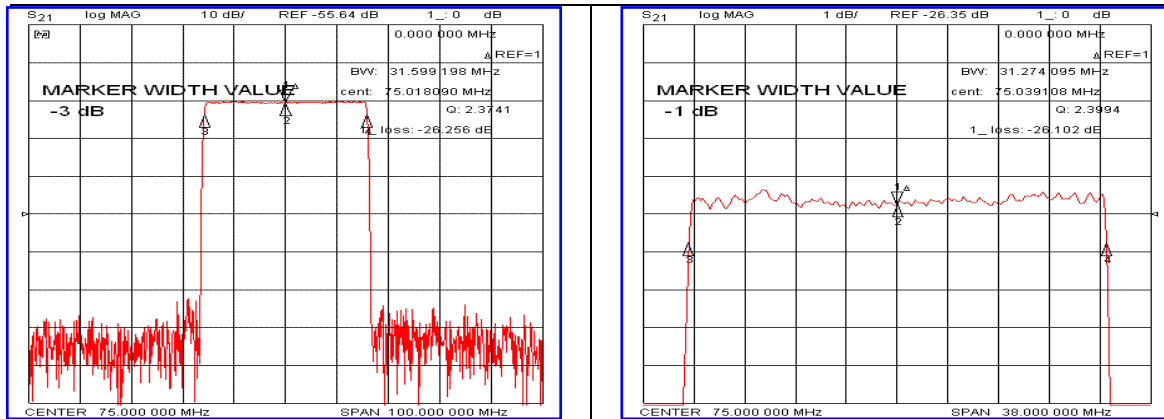


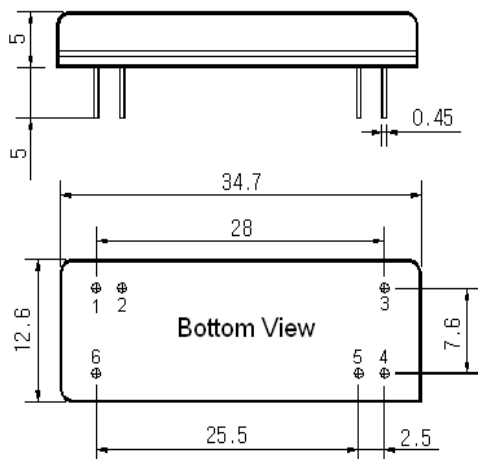
### Typical Performance



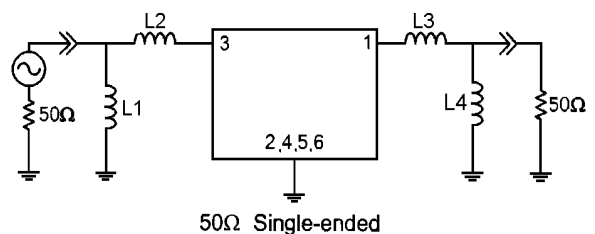
### Specification

Parameter	Unit	Min.	Typ.	Max.
Center Frequency	MHz	-	75.00	-
Insertion Loss	dB	-	26.30	28.50
1dB Bandwidth	MHz	31.00	31.27	-
20dB Bandwidth	MHz	-	32.60	32.70
40dB Bandwidth	MHz	-	33.05	-
Passband Ripple( $F_c \pm 15\text{MHz}$ )	dB	-	0.60	1.20
Group Delay Variation( $F_c \pm 15\text{MHz}$ )	nsec	-	50	100
Absolute Delay	usec	-	2.20	-
Ultimate Attenuation	dB	45	50	-
Substrate Material	-	128-LiNbO <sub>3</sub>		
Temperature Coefficient	ppm/°C	-72		

### Package Dimension



### Matching Configuration



L1=220nH, L2=100nH, L3=82nH, L4=150nH  
 Source / Load Impedance = 50Ω  
 Ambient Temperature = 25°C

Rev.0 120511

