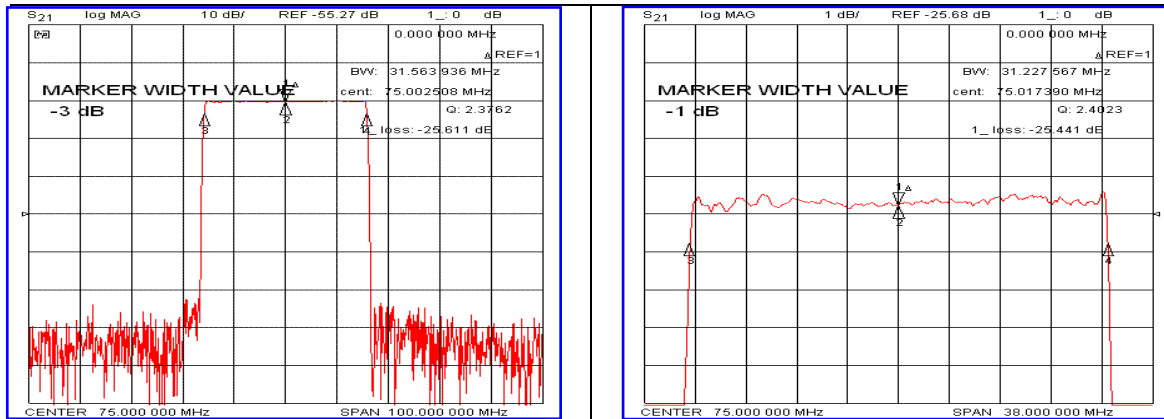


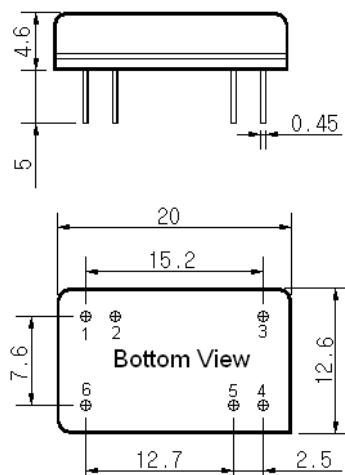
Typical Performance



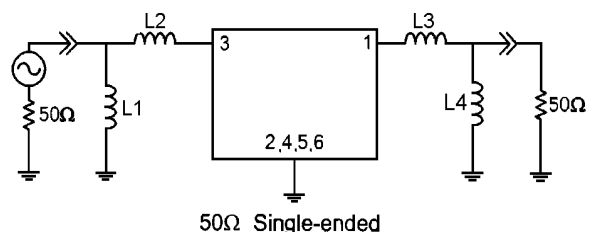
Specification

Parameter	Unit	Min.	Typ.	Max.
Center Frequency	MHz	-	75.00	-
Insertion Loss	dB	-	25.60	27.50
1dB Bandwidth	MHz	31.00	31.22	-
20dB Bandwidth	MHz	-	32.60	32.70
40dB Bandwidth	MHz	-	33.05	-
Passband Ripple($F_c \pm 15\text{MHz}$)	dB	-	0.60	1.20
Group Delay Variation($F_c \pm 15\text{MHz}$)	nsec	-	50	100
Absolute Delay	usec	-	2.20	-
Ultimate Attenuation	dB	45	50	-
Substrate Material	-	128-LiNbO ₃		
Temperature Coefficient	ppm/°C	-72		

Package Dimension



Matching Configuration



L1=220nH, L2=120nH, L3=100nH, L4=150nH
 Source / Load Impedance = 50Ω
 Ambient Temperature = 25°C

Rev.0 120627

