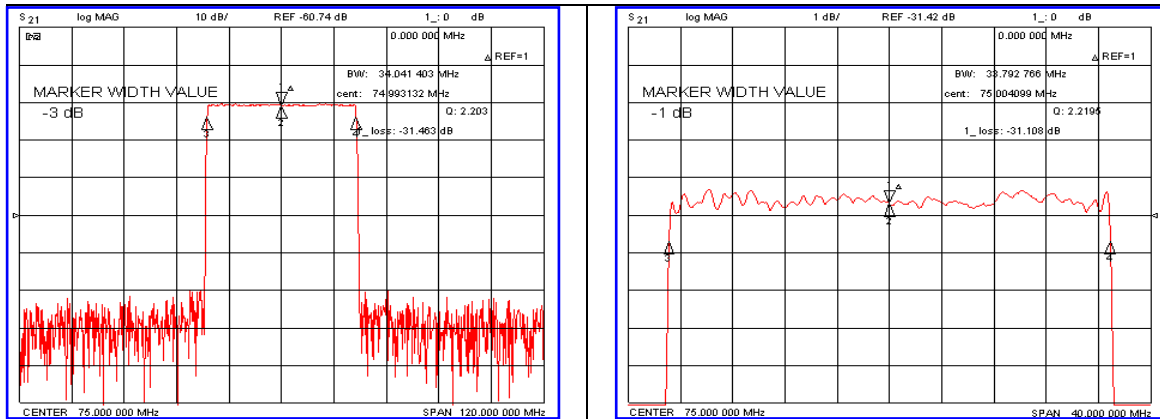


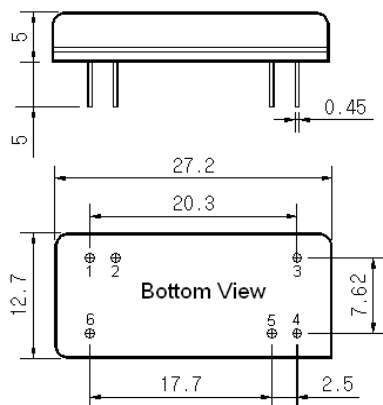
Typical Performance



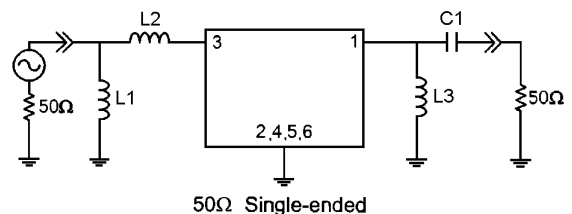
Specification

Parameter	Unit	Min.	Typ.	Max.
Center Frequency	MHz	74.92	75.00	75.08
Insertion Loss	dB	-	31.50	33.00
1dB Bandwidth	MHz	33.50	33.79	-
3dB Bandwidth	MHz	-	34.04	-
10dB Bandwidth	MHz	-	34.52	34.60
40dB Bandwidth	MHz	-	35.28	35.50
Passband Ripple	dB	-	0.70	1.00
Group Delay Variation	nsec	-	30	50
Absolute Delay	μsec	-	2.36	-
Ultimate Attenuation	dB	47	50	-
Substrate Material	-	128-LiNbO ₃		
Temperature Coefficient	ppm/°C	-72		

Package Dimension



Matching Configuration



L1=180nH, L2=100nH, L3=120nH, C1=62pF
 Source / Load Impedance = 50Ω
 Ambient Temperature = 25°C

Rev0. 071112

