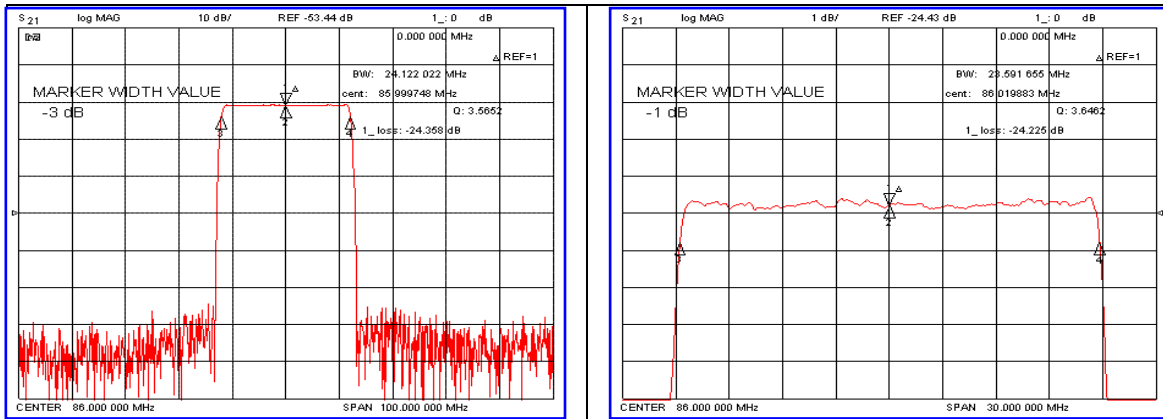


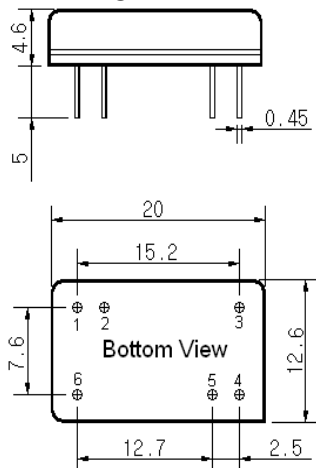
Typical Performance



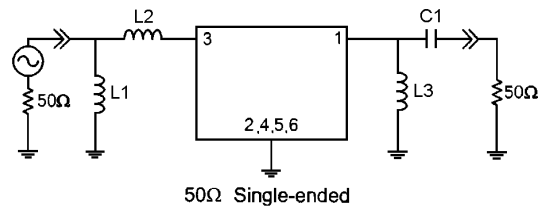
Specification

Parameter	Unit	Min.	Typ.	Max.
Center Frequency	MHz	85.90	86.00	86.10
Insertion Loss	dB	-	24.50	26.00
1dB Bandwidth	MHz	-	23.59	-
3dB Bandwidth	MHz	24.00	24.12	-
40dB Bandwidth	MHz	-	26.20	26.50
Passband Ripple($F_c \pm 10$ MHz)	dB	-	0.50	1.00
Group Delay Variation($F_c \pm 10$ MHz)	nsec	-	35	70
Absolute Delay	μ sec	-	1.78	-
Ultimate Attenuation	dB	50	55	-
Substrate Material	-	128-LiNbO ₃		
Temperature Coefficient	ppm/ $^{\circ}$ C	-72		

Package Dimension



Matching Configuration



L1=180nH, L2=56nH, L3=100nH, C1=30pF
 Source / Load Impedance = 50 Ω
 Ambient Temperature = 25 $^{\circ}$ C

Rev0. 070308

