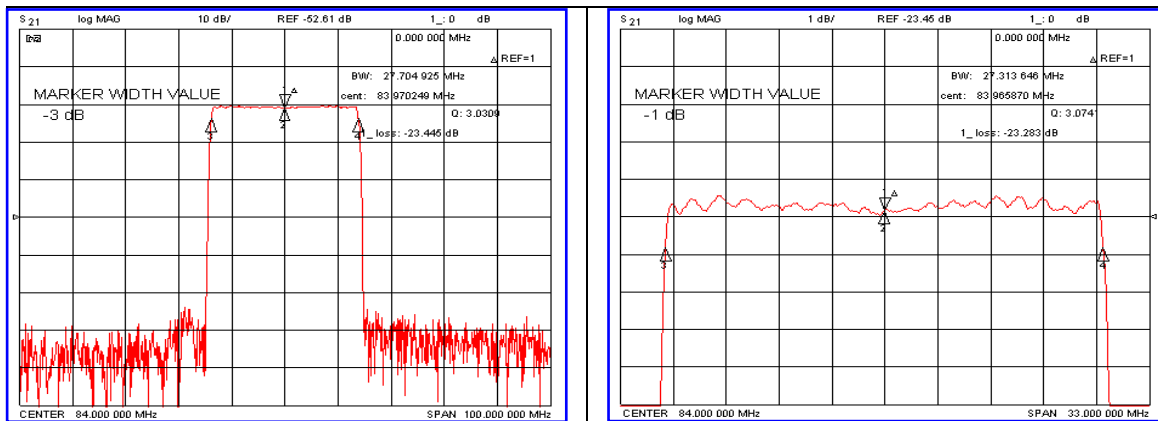


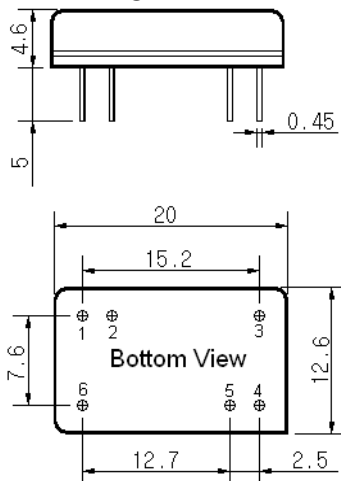
### Typical Performance



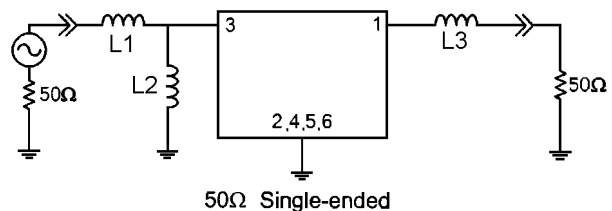
### Specification

Parameter	Unit	Min.	Typ.	Max.
Center Frequency	MHz	83.92	84.00	84.08
Insertion Loss	dB	-	23.44	25.00
1dB Bandwidth	MHz	-	27.31	-
3dB Bandwidth	MHz	27.50	27.70	-
40dB Bandwidth	MHz	-	29.36	29.50
Passband Ripple	dB	-	0.55	1.00
Group Delay Variation	nsec	-	30	50
Absolute Delay	μsec	-	1.89	-
Ultimate Attenuation	dB	50	55	-
Substrate Material	-	128-LiNbO <sub>3</sub>		
Temperature Coefficient	ppm/°C	-72		

### Package Dimension



### Matching Configuration



L1=120nH, L2=680nH, L3=120nH  
 Source / Load Impedance = 50Ω  
 Ambient Temperature = 25°C

Rev0.070730

