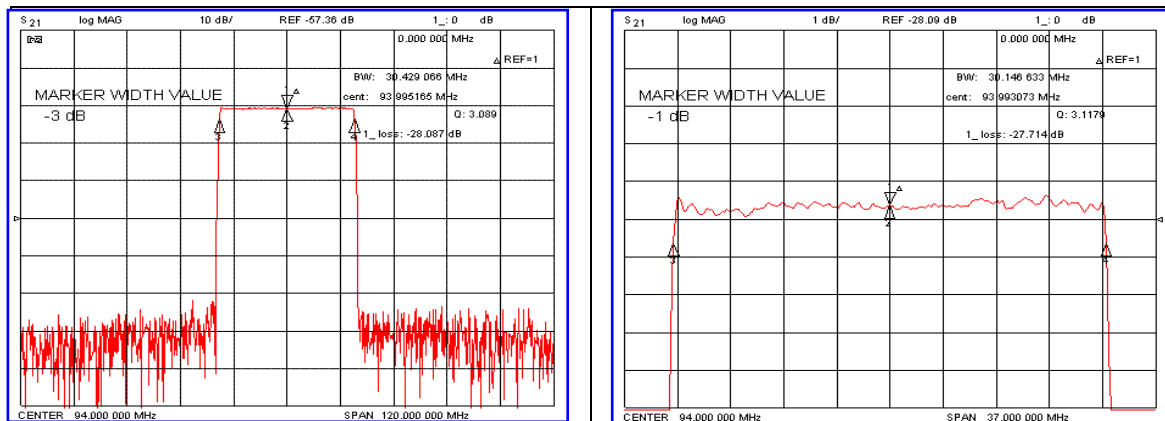


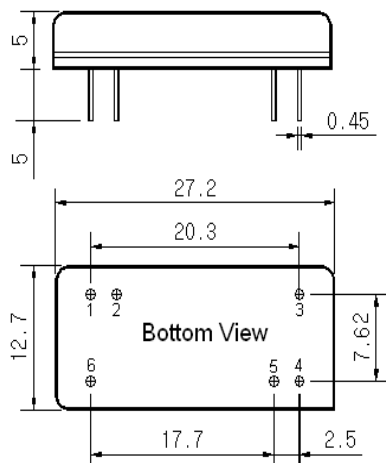
Typical Performance



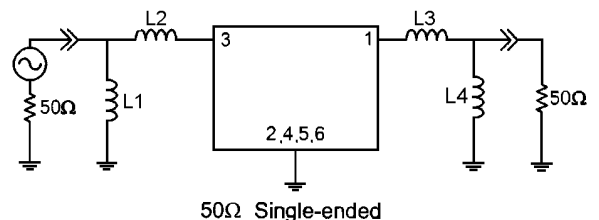
Specification

Parameter	Unit	Min.	Typ.	Max.
Center Frequency	MHz	93.90	94.00	94.10
Insertion Loss	dB	-	28.10	30.00
1dB Bandwidth	MHz	-	30.14	-
3dB Bandwidth	MHz	30.30	30.42	-
40dB Bandwidth	MHz	-	31.75	32.00
Passband Ripple	dB	-	0.55	1.00
Group Delay Variation	nsec	-	30	50
Absolute Delay	μsec	-	2.32	-
Ultimate Attenuation	dB	50	55	-
Substrate Material	-	128-LiNbO ₃		
Temperature Coefficient	ppm/°C	-72		

Package Dimension



Matching Configuration



L1=L4=150nH, L2=L3=27nH
 Source / Load Impedance = 50Ω
 Ambient Temperature = 25°C

Rev1. 070616

