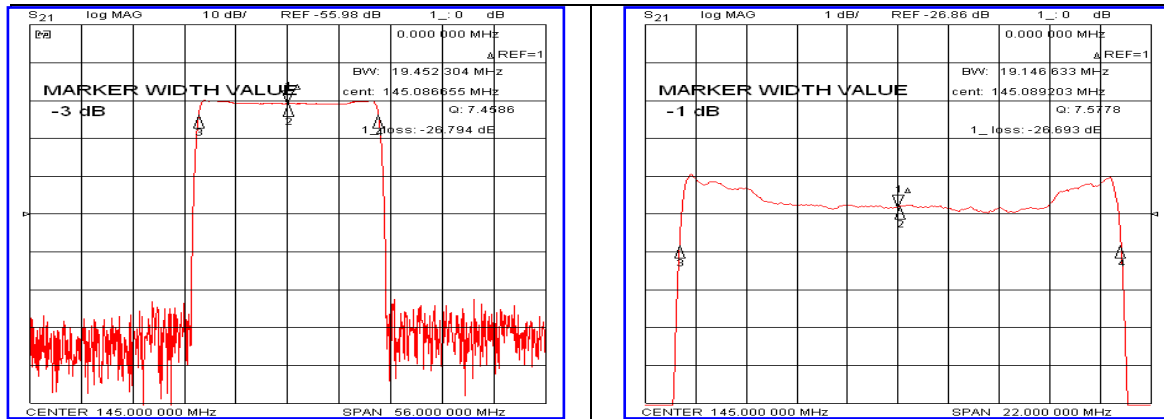


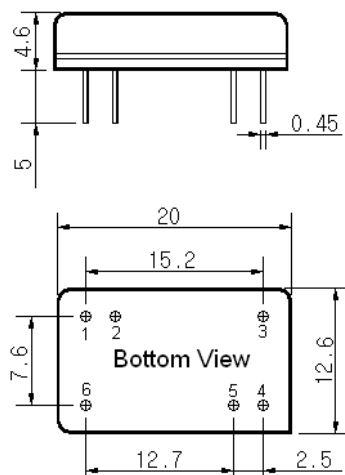
Typical Performance



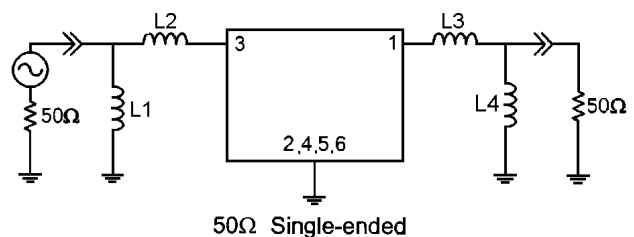
Specification

Parameter	Unit	Min.	Typ.	Max.
Center Frequency	MHz	-	145.00	-
Insertion Loss	dB	-	27.00	29.00
1dB Bandwidth	MHz	18.90	19.14	-
20dB Bandwidth	MHz	-	20.50	20.65
40dB Bandwidth	MHz	-	21.00	-
Passband Ripple($F_c \pm 9.0\text{MHz}$)	dB	-	1.00	1.80
Group Delay Variation($F_c \pm 9.0\text{MHz}$)	nsec	-	50	100
Absolute Delay	μsec	-	2.31	-
Ultimate Attenuation	dB	45	50	-
Substrate Material	-	112-LiTaO ₃		
Temperature Coefficient	ppm/ $^{\circ}\text{C}$	-20		

Package Dimension



Matching Configuration



L1=27nH, L2=10nH, L3=12nH, L4=27nH
 Source / Load Impedance = 50 Ω
 Ambient Temperature = 25 $^{\circ}\text{C}$

Rev.0 120326

