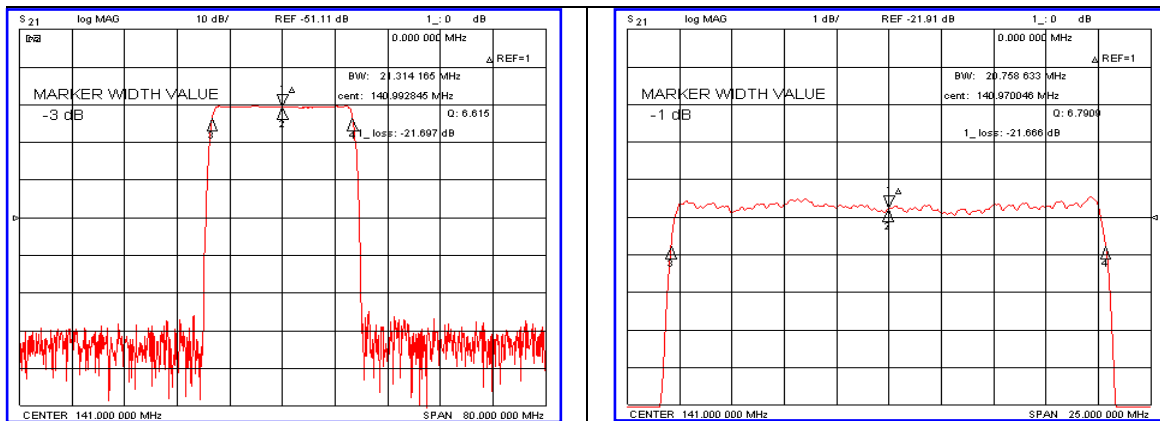


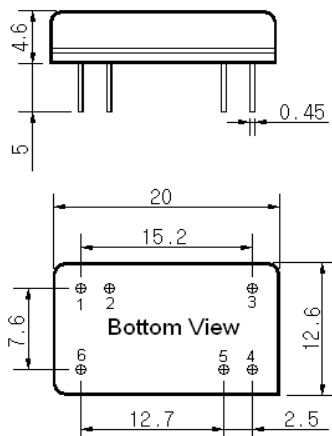
Typical Performance



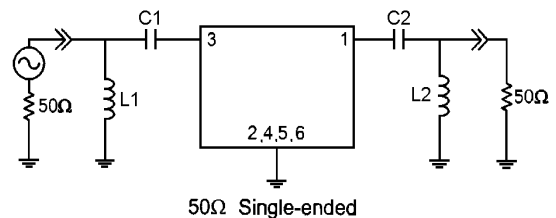
Specification

| Parameter | Unit | Min. | Typ. | Max. |
|-------------------------|--------|------------------------|--------|--------|
| Center Frequency | MHz | 140.90 | 141.00 | 141.30 |
| Insertion Loss | dB | - | 21.69 | 24.00 |
| 1dB Bandwidth | MHz | - | 20.75 | - |
| 3dB Bandwidth | MHz | 21.10 | 21.31 | - |
| 40dB Bandwidth | MHz | - | 23.67 | 23.80 |
| Passband Ripple | dB | - | 0.50 | 1.00 |
| Group Delay Variation | nsec | - | 30 | 50 |
| Absolute Delay | μsec | - | 1.50 | - |
| Ultimate Attenuation | dB | - | 55 | - |
| Substrate Material | - | 128-LiNbO ₃ | | |
| Temperature Coefficient | ppm/°C | -72 | | |

Package Dimension



Matching Configuration



L1=L2=100nH, C1=C2=270pF
 Source / Load Impedance = 50Ω
 Ambient Temperature = 25°C

Rev0.071009

