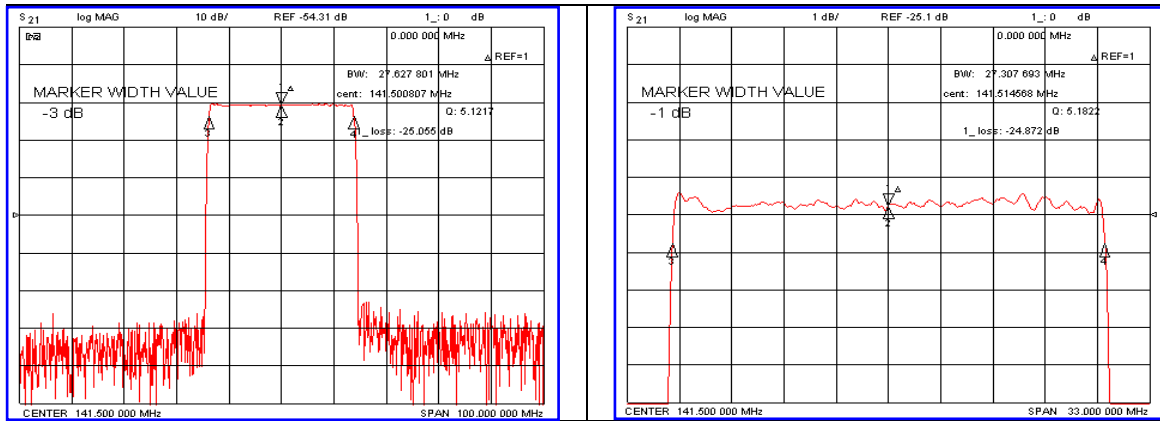


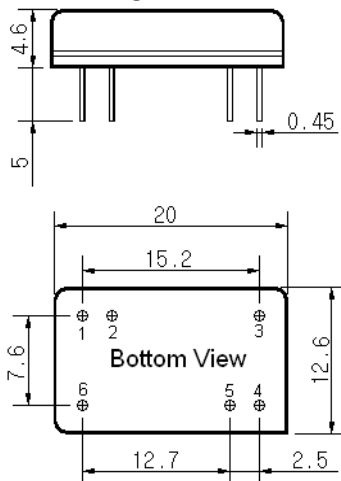
### Typical Performance



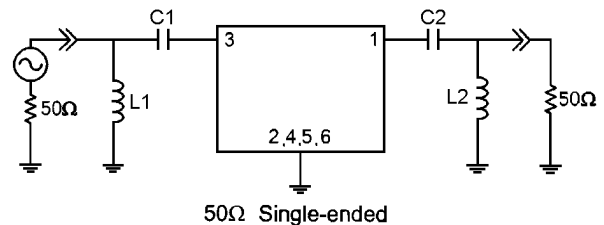
### Specification

Parameter	Unit	Min.	Typ.	Max.
Center Frequency	MHz	141.35	141.50	141.65
Insertion Loss	dB	-	25.20	26.50
1dB Bandwidth	MHz	-	27.30	-
3dB Bandwidth	MHz	27.50	27.62	-
40dB Bandwidth	MHz	-	29.12	29.25
Passband Ripple	dB	-	0.56	1.00
Group Delay Variation	nsec	-	30	50
Absolute Delay	μsec	-	2.09	-
Ultimate Attenuation	dB	50	53	-
Substrate Material	-	128-LiNbO <sub>3</sub>		
Temperature Coefficient	ppm/°C	-72		

### Package Dimension



### Matching Configuration



L1=L2=68nH, C1=C2=180pF  
 Source / Load Impedance = 50Ω  
 Ambient Temperature = 25°C

Rev0. 070824

