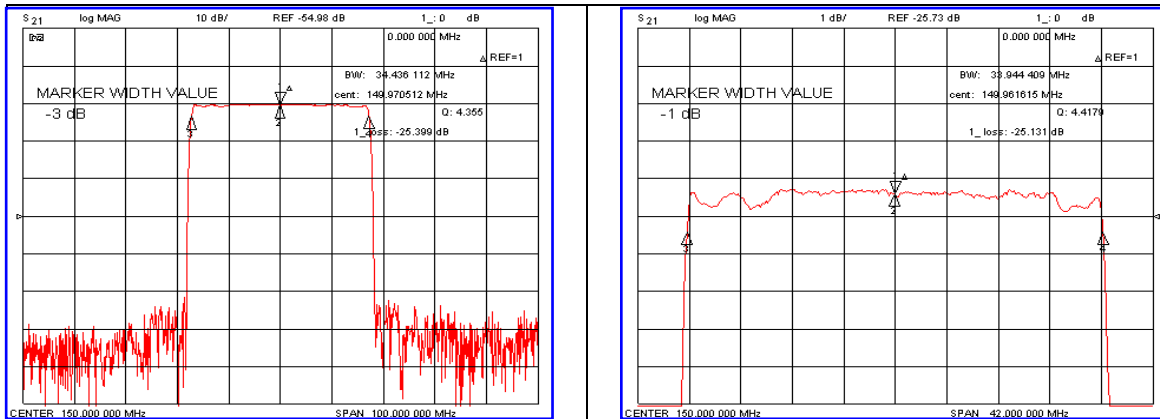


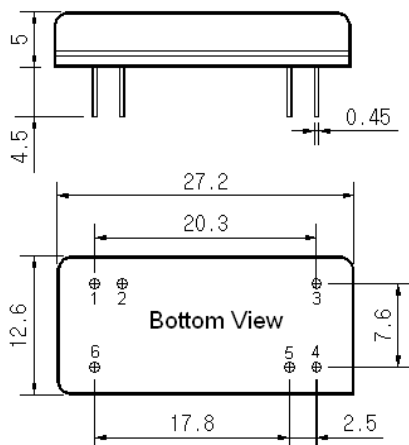
Typical Performance



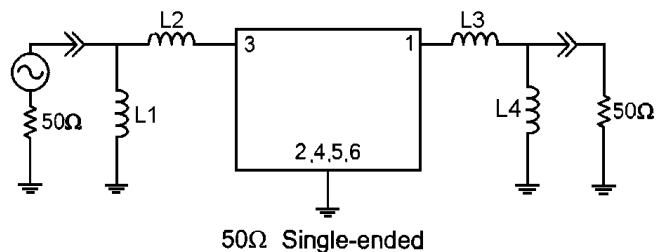
Specification

Parameter	Unit	Min.	Typ.	Max.
Center Frequency	MHz	149.85	150.00	150.15
Insertion Loss	dB	-	25.50	27.00
1dB Bandwidth	MHz	33.86	33.94	-
3dB Bandwidth	MHz	-	34.43	-
40dB Bandwidth	MHz	-	36.36	36.50
Passband Ripple	dB	-	0.65	1.00
Group Delay Variation	nsec	-	30	50
Absolute Delay	µsec	-	3.05	-
Ultimate Attenuation	dB	48	52	-
Substrate Material	-	128-LiNbO ₃		
Temperature Coefficient	ppm/°C	-72		

Package Dimension



Matching Configuration



L1=68nH, L2=15nH, L3=15nH, L4=82nH
 Source / Load Impedance = 50Ω
 Ambient Temperature = 25°C

Rev.0 091026

