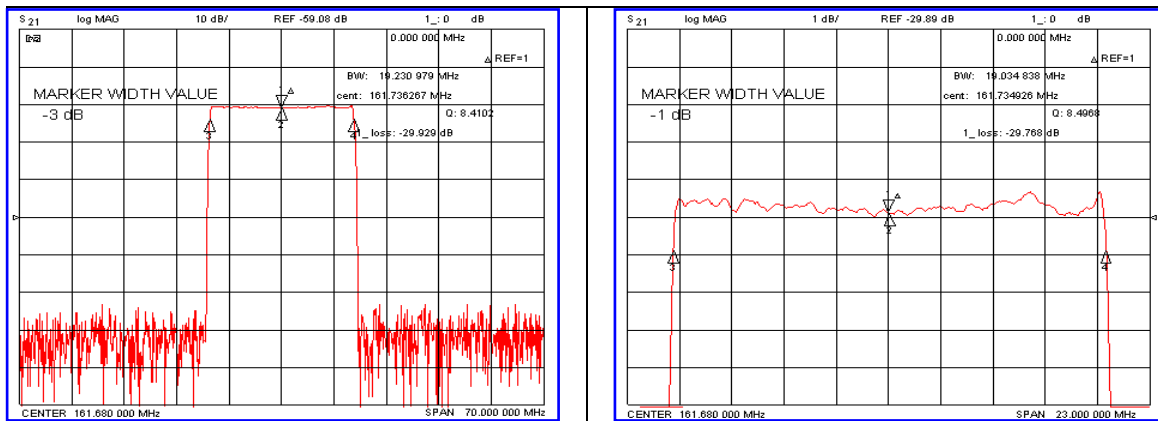


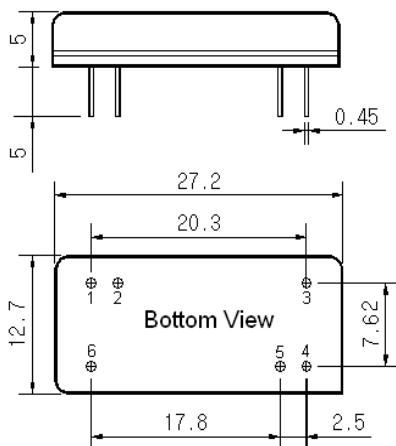
Typical Performance



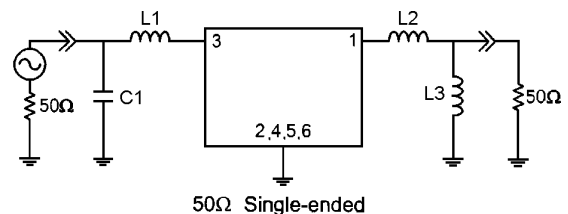
Specification

Parameter	Unit	Min.	Typ.	Max.
Center Frequency	MHz	161.48	161.68	161.88
Insertion Loss	dB	-	29.92	31.50
1dB Bandwidth	MHz	-	19.03	-
3dB Bandwidth	MHz	19.10	19.23	-
40dB Bandwidth	MHz	-	20.13	20.30
Passband Ripple	dB	-	0.70	1.00
Group Delay Variation	nsec	-	60	100
Absolute Delay	μsec	-	3.61	-
Ultimate Attenuation	dB	48	53	-
Substrate Material	-	112-LiTaO ₃		
Temperature Coefficient	ppm/°C ²	-20		

Package Dimension



Matching Configuration



L1=33nH, L2=5.6nH, L3=18nH, C1=47pF
 Source / Load Impedance = 50Ω
 Ambient Temperature = 25°C

Rev0. 071009

