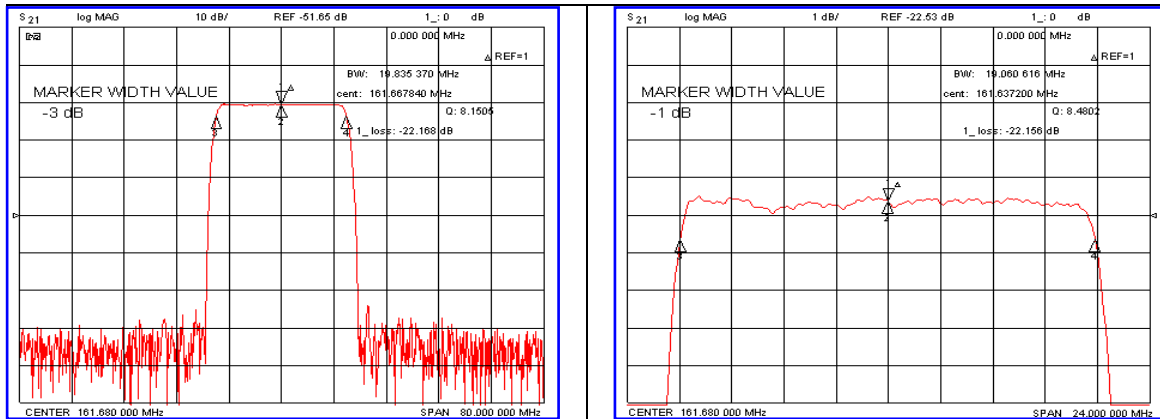


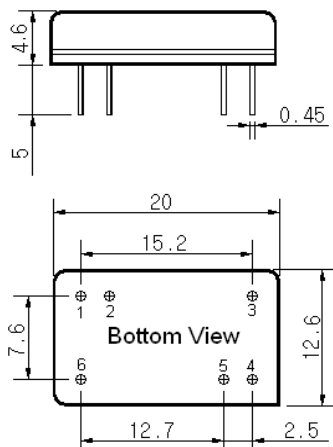
Typical Performance



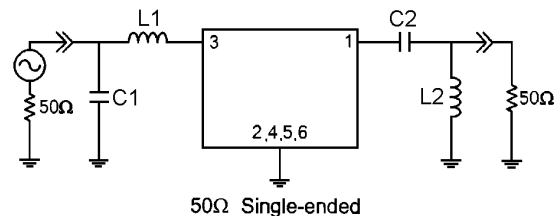
Specification

Parameter	Unit	Min.	Typ.	Max.
Center Frequency	MHz	161.48	161.68	161.88-
Insertion Loss	dB	-	22.16	25.00
1dB Bandwidth	MHz	-	19.06	-
3dB Bandwidth	MHz	19.70	19.83	-
40dB Bandwidth	MHz	-	22.80	23.00
Passband Ripple	dB	-	0.45	1.00
Group Delay Variation	nsec	-	30	50
Absolute Delay	μsec	-	1.10	-
Ultimate Attenuation	dB	50	53	-
Substrate Material	-	128-LiNbO ₃		
Temperature Coefficient	ppm/°C	-72		

Package Dimension



Matching Configuration



L1=15nH, L2=68nH, C1=33pF, C2=200pF
 Source / Load Impedance = 50Ω
 Ambient Temperature = 25°C

Rev0. 071009

