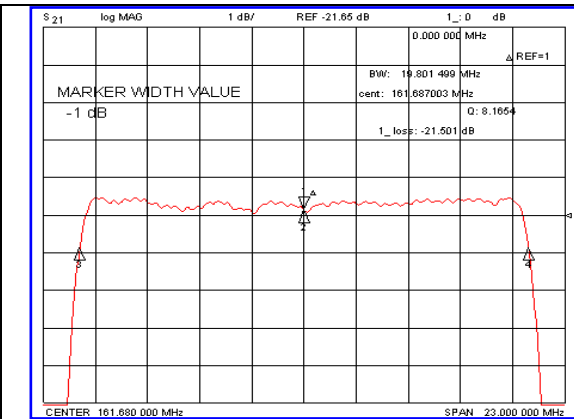
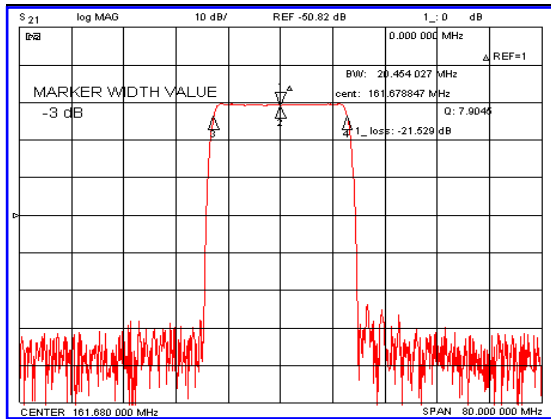


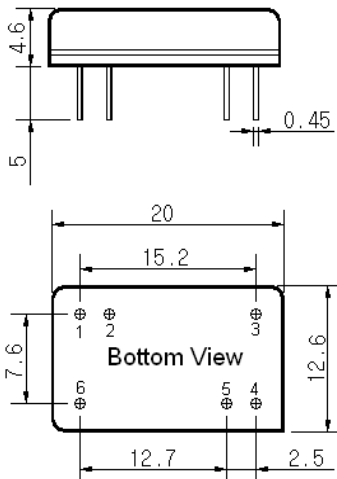
Typical Performance



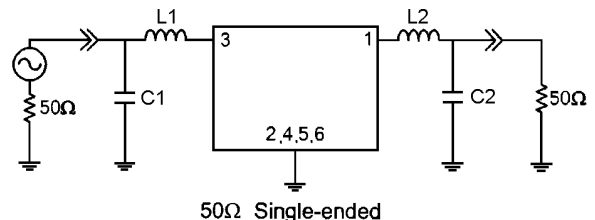
Specification

Parameter	Unit	Min.	Typ.	Max.
Center Frequency	MHz	161.48	161.68	161.88
Insertion Loss	dB	-	21.52	24.00
1dB Bandwidth	MHz	-	19.80	-
3dB Bandwidth	MHz	20.00	20.45	-
40dB Bandwidth	MHz	-	23.19	23.50
Passband Ripple	dB	-	0.45	1.00
Group Delay Variation	nsec	-	30	50
Absolute Delay	µsec	-	1.08	-
Ultimate Attenuation	dB	50	53	-
Substrate Material	-	128-LiNbO ₃		
Temperature Coefficient	ppm/°C	-72		

Package Dimension



Matching Configuration



L1=22nH, L2=22nH, C1=C2=10pF
 Source / Load Impedance = 50Ω
 Ambient Temperature = 25°C

Rev0. 071120

