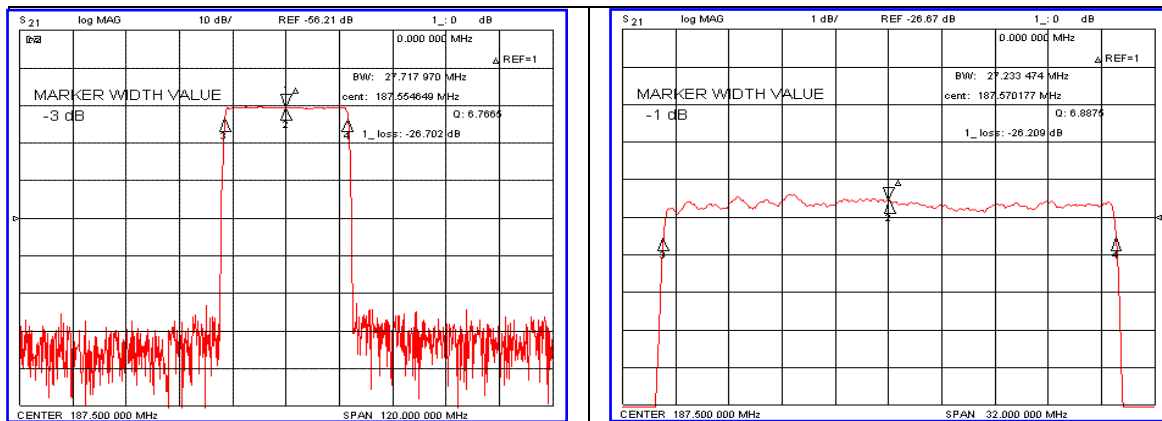


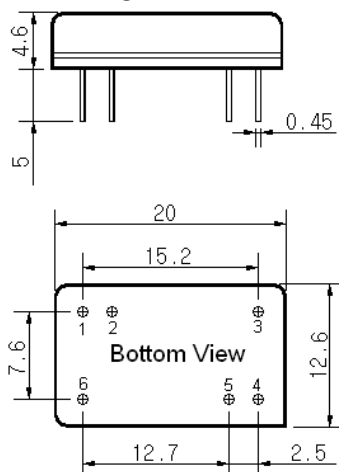
Typical Performance



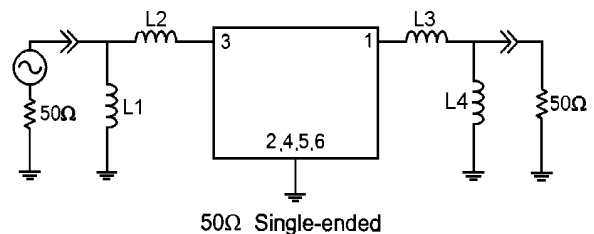
Specification

Parameter	Unit	Min.	Typ.	Max.
Center Frequency	MHz	187.35	187.50	187.65
Insertion Loss	dB	-	26.80	28.00
1dB Bandwidth	MHz	-	27.23	-
3dB Bandwidth	MHz	27.50	27.71	-
40dB Bandwidth	MHz	-	29.60	29.80
Passband Ripple	dB	-	0.55	1.00
Group Delay Variation	nsec	-	50	100
Absolute Delay	μsec	-	2.33	-
Ultimate Attenuation	dB	50	55	-
Substrate Material	-	112-LiTaO ₃		
Temperature Coefficient	ppm/°C	-20		

Package Dimension



Matching Configuration



L1=L4=18nH, L2=L3=8.2nH
 Source / Load Impedance = 50Ω
 Ambient Temperature = 25°C

Rev0. 070620

