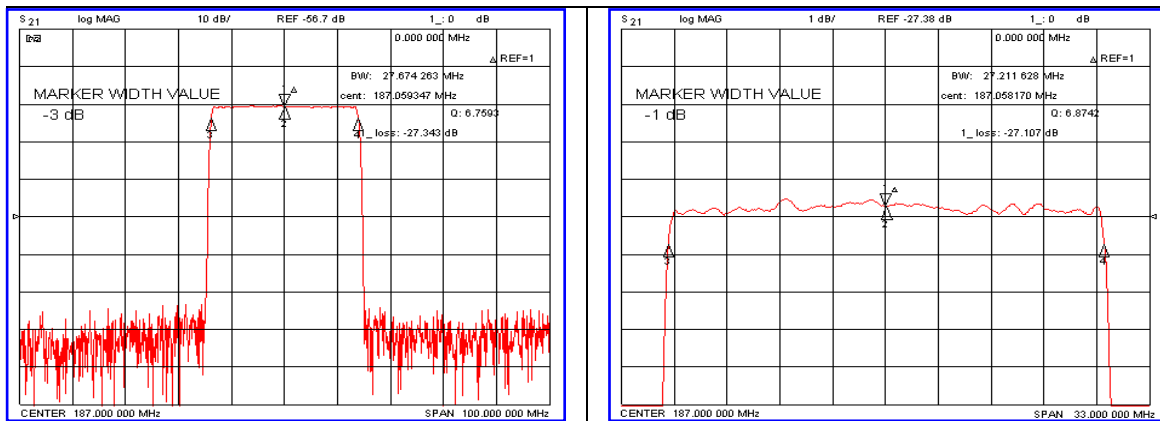


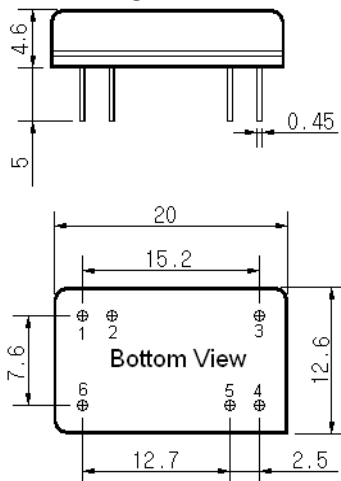
## Typical Performance



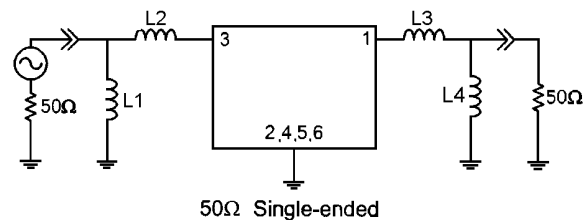
## Specification

Parameter	Unit	Min.	Typ.	Max.
Center Frequency	MHz	186.80	187.00	187.20
Insertion Loss	dB	-	27.34	29.00
1dB Bandwidth	MHz	-	27.21	-
3dB Bandwidth	MHz	27.50	27.67	-
40dB Bandwidth	MHz	-	29.50	29.70
Passband Ripple	dB	-	0.50	1.00
Group Delay Variation	nsec	-	30	50
Absolute Delay	μsec	-	2.44	-
Ultimate Attenuation	dB	50	55	-
Substrate Material	-	112-LiTaO <sub>3</sub>		
Temperature Coefficient	ppm/°C <sup>2</sup>	-20		

## Package Dimension



## Matching Configuration



L1=L4=18nH, L2=8.2nH, L3=12nH  
 Source / Load Impedance = 50Ω  
 Ambient Temperature = 25°C

Rev0.070730

