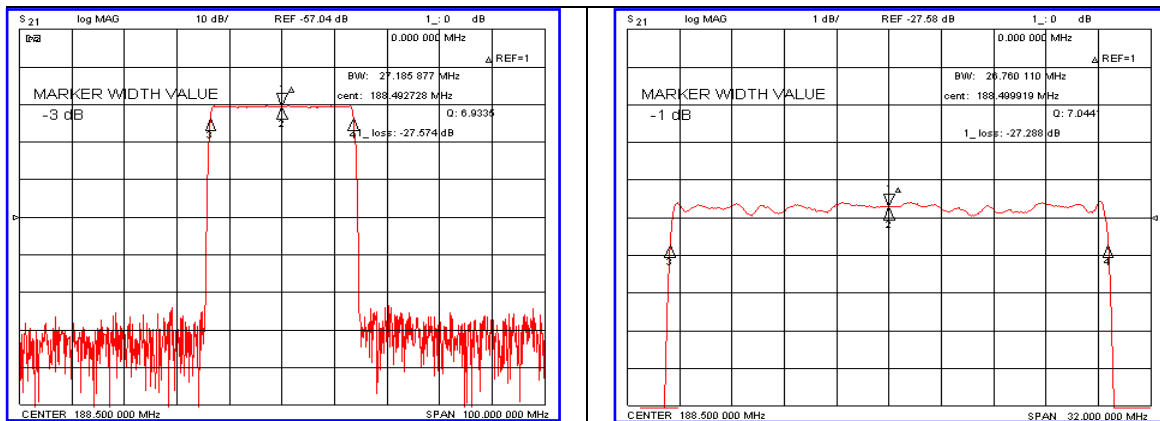


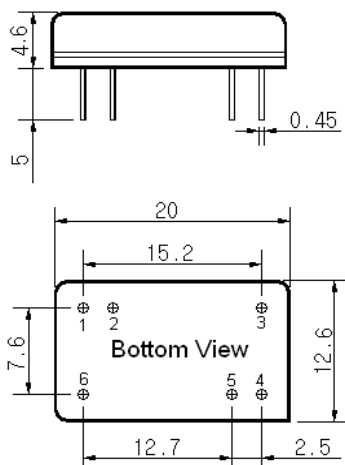
Typical Performance



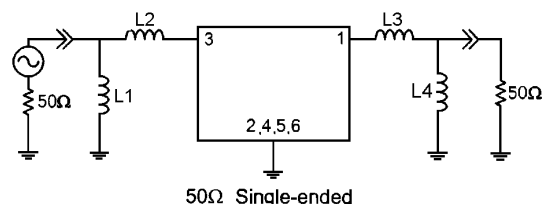
Specification

Parameter	Unit	Min.	Typ.	Max.
Center Frequency	MHz	188.30	188.50	188.70
Insertion Loss	dB	-	27.57	29.50
1dB Bandwidth	MHz	-	26.76	-
3dB Bandwidth	MHz	27.00	27.18	-
40dB Bandwidth	MHz	-	29.03	29.20
Passband Ripple	dB	-	0.45	1.00
Group Delay Variation	nsec	-	30	50
Absolute Delay	μsec	-	2.37	-
Ultimate Attenuation	dB	50	53	-
Substrate Material	-	112-LiTaO ₃		
Temperature Coefficient	ppm/°C	-20		

Package Dimension



Matching Configuration



L1=22nH, L2=L3=8.2nH, L4=27nH
 Source / Load Impedance = 50Ω
 Ambient Temperature = 25°C

Rev0.0701009

