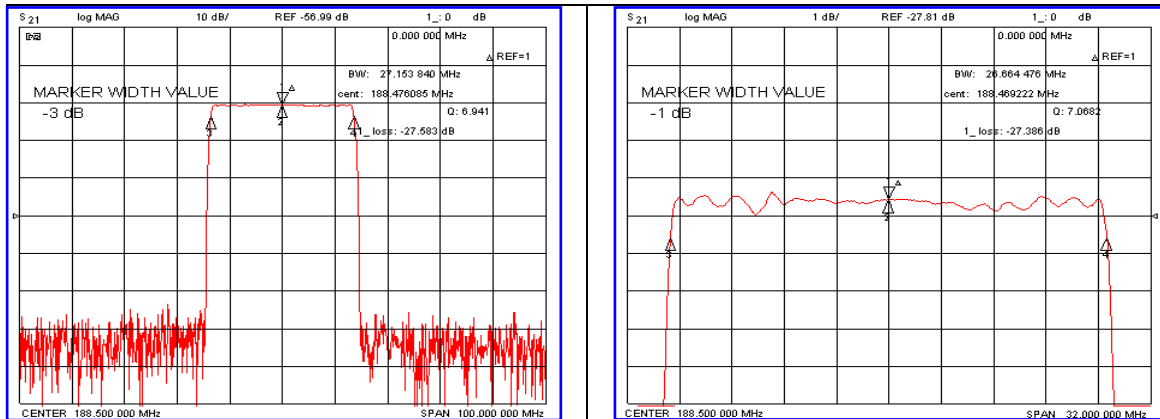


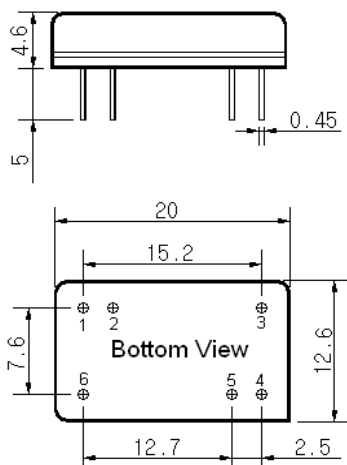
Typical Performance



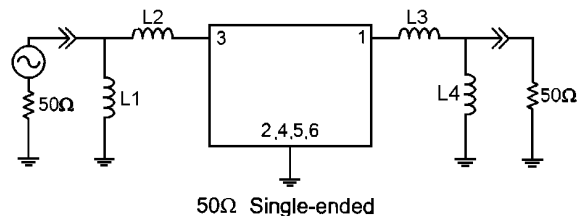
Specification

Parameter	Unit	Min.	Typ.	Max.
Center Frequency	MHz	188.30	188.50	188.70
Insertion Loss	dB	-	27.58	29.50
1dB Bandwidth	MHz	-	26.66	-
3dB Bandwidth	MHz	27.00	27.15	-
40dB Bandwidth	MHz	-	29.15	29.40
Passband Ripple	dB	-	0.60	1.00
Group Delay Variation	nsec	-	30	50
Absolute Delay	µsec	-	2.19	-
Ultimate Attenuation	dB	50	55	-
Substrate Material	-	112-LiTaO ₃		
Temperature Coefficient	ppm/°C	-20		

Package Dimension



Matching Configuration



L1=18nH, L4=18nH, L2=L3=8.2nH
 Source / Load Impedance = 50Ω
 Ambient Temperature = 25°C

Rev0. 071031

