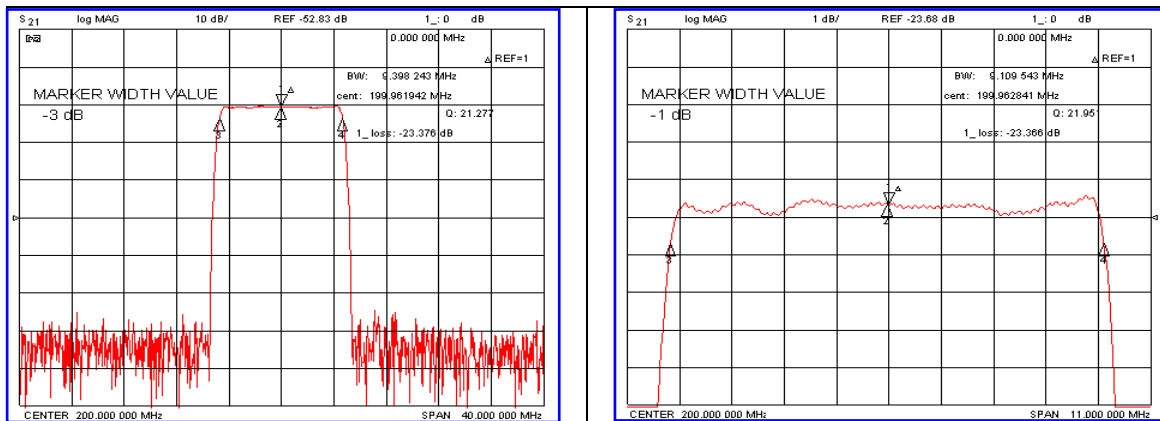


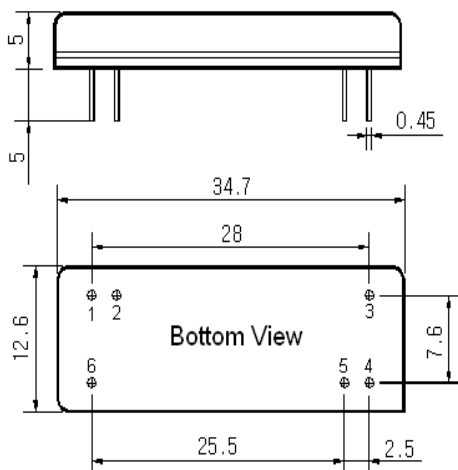
Typical Performance



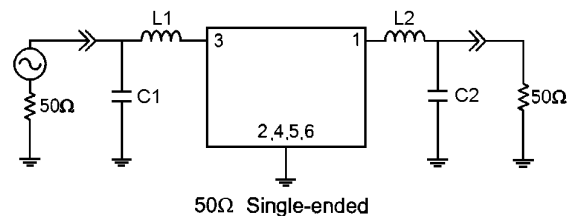
Specification

Parameter	Unit	Min.	Typ.	Max.
Center Frequency	MHz	199.85	200.00	200.15
Insertion Loss	dB	-	23.37	25.00
1dB Bandwidth	MHz	9.00	9.10	-
3dB Bandwidth	MHz	-	9.39	-
50dB Bandwidth	MHz	-	10.70	10.80
Passband Ripple	dB	-	0.55	1.00
Group Delay Variation	nsec	-	50	100
Absolute Delay	μsec	-	3.21	-
Ultimate Attenuation	dB	50	55	-
Substrate Material	-	112-LiTaO ₃		
Temperature Coefficient	ppm/°C	-20		

Package Dimension



Matching Configuration



L1=L2=15nH, C1=C2=30pF
 Source / Load Impedance = 50Ω
 Ambient Temperature = 25°C

Rev0. 071112

